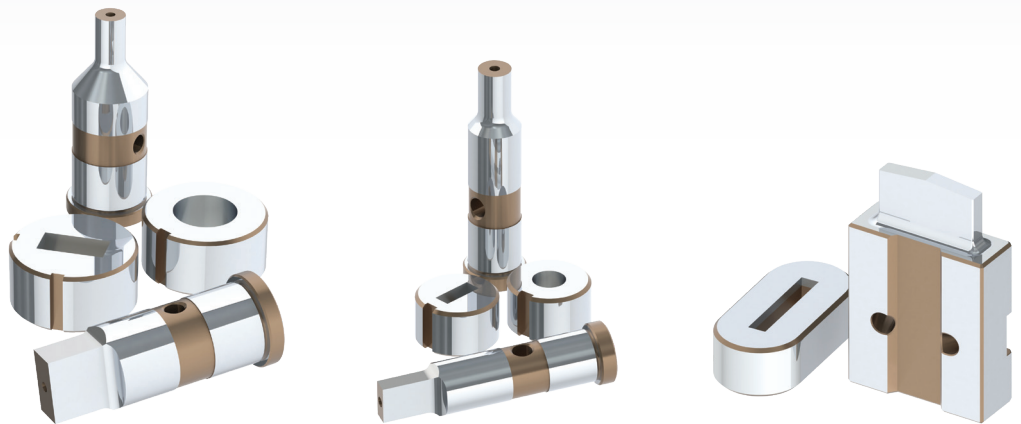


EXPAND YOUR PUNCHING POWER

Upgrade your Boschert Revo tooling with multi-tools from Wilson Tool International that are 100% compatible with Boschert OEM holders.

Why Choose Multi-Tools for your Boschert Machine?

- **Increased Turret Capacity:** Maximize your machine's potential
- **Fewer Tool Changes:** Boost productivity and reduce downtime
- **Faster Run Times:** Streamline your production process
- **Lower Tooling Costs:** Reduce your investment in tooling
- **Enhanced Durability:** High-Grade HSS for extended tool life



DESCRIPTION	4 STATION		7/8 STATION		SLITTING TOOL
	ROUND	SHAPE	ROUND	SHAPE	
PUNCH	24215	24218	24227	24230	24490
DIE	24216	24219	24228	24231	24491
SLUG HUGGER® DIE	24217	24220	24229	24232	—
MAX A DIM	25mm		16mm		30mm x 5mm

Wilson Tool offers a comprehensive range of punches and dies that seamlessly integrate with your existing Boschert equipment. Contact us today to elevate your Boschert tooling.

For more information, visit wilsontool.com/punching, call our tooling technicians at 800.328.9646 or contact your sales engineer.

© Wilson Tool International.
All rights reserved. P709F (12.2024)