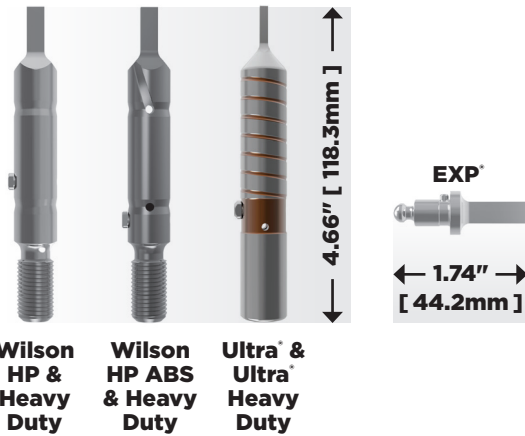
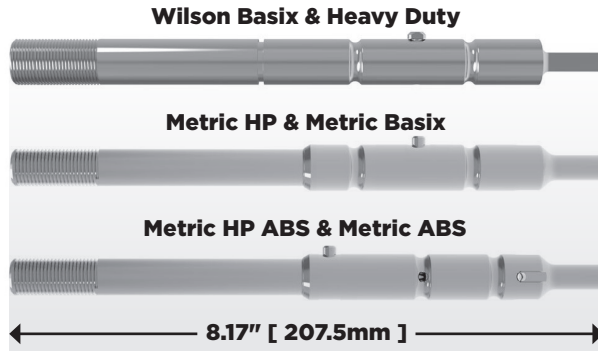


## 1/2" - A STATION PUNCHES

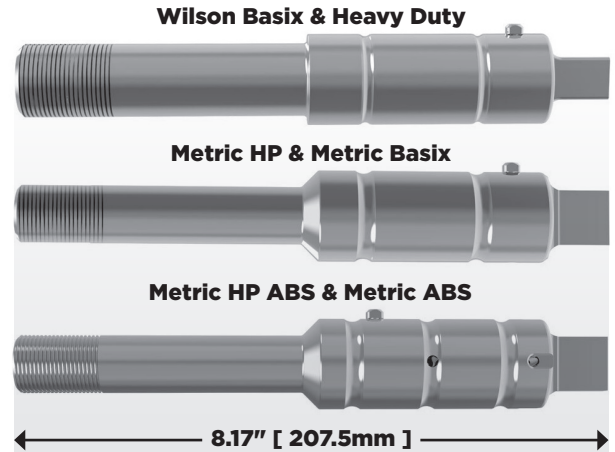


A Station	Round	Shaped
Wilson Basix	1807	1816
Wilson Basix Heavy Duty	2303	2304
Metric HP	14048*	2182
Metric HP ABS	13869*	13870
Metric Basix	2183	2182
Metric ABS	13827	13870
Wilson HP/HP Heavy Duty	2405	2406
Wilson HP ABS/ HP ABS Heavy Duty	2385	2389
Ultra	13715	13716
Ultra Heavy Duty	13791	13792
EXP*	13904	13905

\*Pinned Round

Note: Mate Precision Technologies and Ultra are trademarks of Mate Precision Technologies. Wilson Tool supplies punches and strippers that are 100% compatible with Ultra guide assemblies & holders.

## 1-1/4" - B STATION PUNCHES



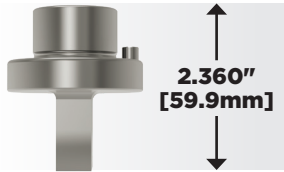
B Station	Round	Shaped
Wilson Basix	1827	1839
Wilson Basix Heavy Duty	2305	2306
Metric HP	14049*	2184
Metric HP ABS	13871*	13872
Metric Basix	2185	2184
Metric ABS	13828	13872
Wilson HP/HP Heavy Duty	2407	2408
Wilson HP ABS/ HP ABS Heavy Duty	2398	2399
Ultra	13717	13718
Ultra Heavy Duty	13793	13794
EXP*	13916	13917

\*Pinned Round

# THICK TURRET PUNCHES

## 2" - C STATION PUNCHES

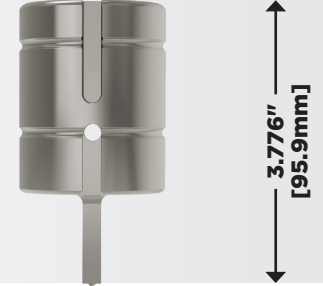
Wilson HP



Wilson: Standard/Basix  
Metric: Standard/Basix/HP



Metric:  
Standard ABS/HP ABS



## 3.5" - D STATION PUNCHES

Wilson HP



Wilson: Standard/Basix  
Metric: Standard/Basix/HP

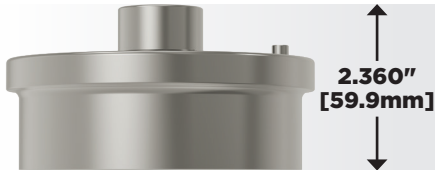


Metric:  
Standard ABS/HP ABS



## 4.5" - E STATION PUNCHES

Wilson HP



Wilson: Standard/Basix  
Metric: Standard/Basix/HP



Metric:  
Standard ABS/HP ABS



	Punch Description	Thread Size	C STATION		D STATION		E STATION	
			Round	Shaped	Round	Shaped	Round	Shaped
Wilson Style	HP	1/2-13	5026	5025	5028	5027	5030	5029
	Standard / Basix		1847	1853	1863	1868	1876	1881
Metric Style	Standard / Basix / HP	M12	1933	1934	1937	1938	1941	1942
	Standard ABS / HP ABS	M14	13614	13615	13616	13617	13618	13619

For more information, visit [wilsontool.com/punching](http://wilsontool.com/punching), call our tooling technicians at 800.328.9646 or contact your sales engineer.

© Wilson Tool International.  
All rights reserved. P706F (1.2024)