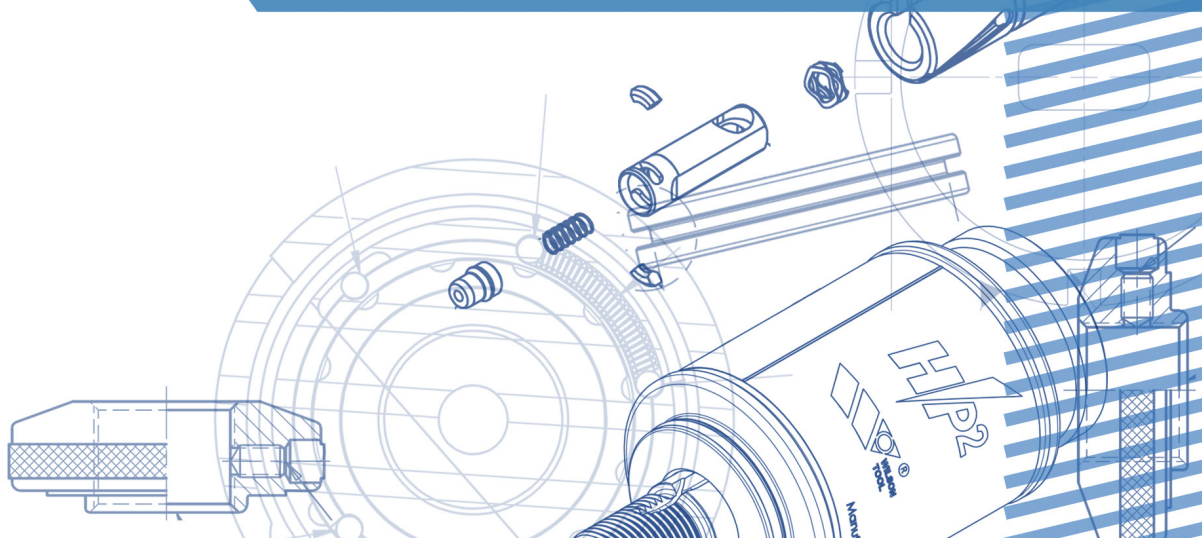




# iSERIES THICK TURRET QUICK REFERENCE GUIDE



# HP C STATION METRIC ABS

## Wilson Tool - United Kingdom

Tel (Free): 0800-373748 | Tel: +44 1793 831818  
 Fax (Free): 0800-373758 | Fax: +44 1793 831945 or 46  
 Email: sales@wilsontool.eu.com

## Wilson Tool Deutschland GmbH

Tel (Free): 00800-9457668665 | Tel: +49 5723 747 0  
 Fax (Free): 00800-945766329 | Fax: +49 5723 747 10  
 Email: verkauf@wilsontool.eu.com

## Wilson Tool - Denmark

Tel (Free): 80 20 20 24 | Tel: +45 44 53 1699  
 SE. Tel (free): 020 79 14 19  
 NO. Tel (free): 800 10 809  
 FI. Tel (free): 0800 114 523  
 e-mail: salesdk@wilsontool.eu.com

## Wilson Tool - SAS - France

Tel: +33 (0) 1 64 13 47 80 | Fax: +33 (0) 1 64 13 47 81  
 Email: ventes@wilsontool.eu.com

## Toolspress - Italy

Tel: +39 0521 850510 / 850677  
 Fax: +39 0521 850796  
 e-mail: info@toolspress.com

## Wilson Tool International - United States

Tel (Free): 800-328-9646 | Tel: 651-286-6001  
 Fax (Free): 800-222-0002 | Fax: 651-286-5959  
 e-mail: sales@wilsontool.com

## Wilson Tool - Canada

Punching and Stamping Division  
 Tel: 800-268-5573 | Fax: 800-668-9314  
 e-mail: punching@wilsontoolcanada.com

## Wilson Tool - Canada

Press Brake Division  
 Tel: 800-268-4180 | Fax: 905-840-1032  
 e-mail: bending@wilsontoolcanada.com

## Wilson Tool - Mexico

Tel: 52 (81) 8865-4820 | Fax: 52 (81) 8865-4599  
 e-mail: americalatina@wilsontool.com

## Wilson Tool - Argentina

Tel: +54 114 799 6519  
 e-mail: ventassudamerica@wilsontool.com

## Milling Ferramentas - Brazil

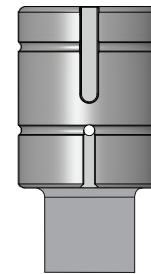
Tel/Fax: 55 11 5621-2100  
 e-mail: vendas@milling.com.br

## Wilson Tool - China

Tel: +86 21 51089638 | Fax: +86 21 64422195  
 e-mail: sales@wilsontool.cn



GUIDE  
ASSEMBLY



PUNCH



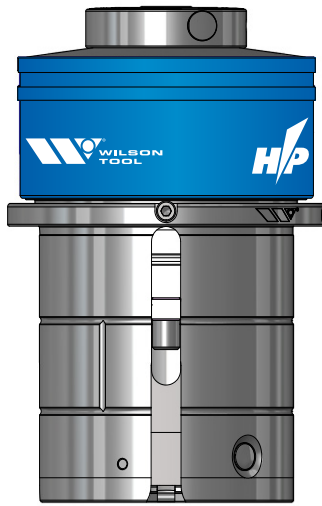
STRIPPER



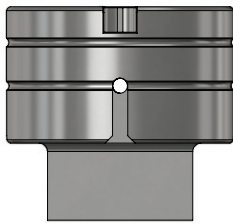
DIE

SHIM

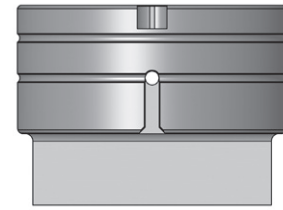
PUNCH AND GUIDE ASSEMBLY		CAT. NO.
Round Assembly		14270i
Shape Assembly		14264i
PUNCH		CAT. NO.
Round ABS M14 Thread		13614i
Shape ABS M14 Thread		13615i
STRIPPER		CAT. NO.
Round ABS		5150i
Shape ABS		5151i
DIE		CAT. NO.
Round Slug Hugger®*		2196i
Round Standard		1850i
Shape Slug Hugger®*		2197i
Shape Standard		13807i
* Slug Hugger dies must be ordered punch size plus clearance. Size restrictions apply.		
DIE SHIM		CAT. NO.
0.25 mm	single	2089
0.76 mm	single	2725
1.50 mm	single	2092
0.25 mm	pack of 10	2210
0.76 mm	pack of 10	2726
1.50 mm	pack of 10	2174



GUIDE  
ASSEMBLY



PUNCH



STRIPPER



DIE

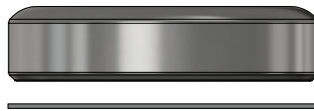
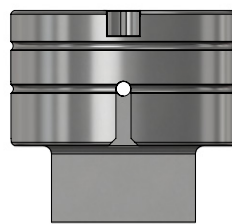
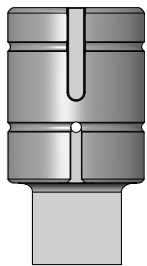


SHIM

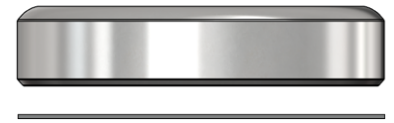
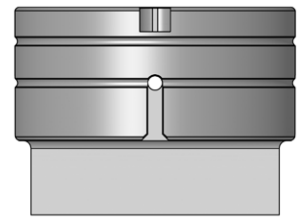
PUNCH AND GUIDE ASSEMBLY		CAT. NO.
Round Assembly		14272i
Shape Assembly		14266i
PUNCH		CAT. NO.
Round ABS M14 Thread		13616i
Shape ABS M14 Thread		13617i
STRIPPER		CAT. NO.
Round ABS		5152i
Shape ABS		5153i
DIE		CAT. NO.
Round Slug Hugger®*		2198i
Round Standard		1865i
Shape Slug Hugger®*		2199i
Shape Standard		13810i
* Slug Hugger dies must be ordered punch size plus clearance. Size restrictions apply.		
DIE SHIM		CAT. NO.
0.25 mm	single	2081
0.76 mm	single	2727
1.50 mm	single	2084
0.25 mm	pack of 5	2211
0.76 mm	pack of 5	2728
1.50 mm	pack of 5	2175

PUNCH AND GUIDE ASSEMBLY		CAT. NO.
Round Assembly		14274i
Shape Assembly		14268i
PUNCH		CAT. NO.
Round ABS M14 Thread		13618i
Shape ABS M14 Thread		13619i
STRIPPER		CAT. NO.
Round ABS		5154i
Shape ABS		5155i
DIE		CAT. NO.
Round Slug Hugger®*		2200i
Round Standard		1878i
Shape Slug Hugger®*		2201i
Shape Standard		13817i
* Slug Hugger dies must be ordered punch size plus clearance. Size restrictions apply.		
DIE SHIM		CAT. NO.
0.25 mm	single	2073
0.76 mm	single	2729
1.50 mm	single	2076
0.25 mm	pack of 5	2212
0.76 mm	pack of 5	2730
1.50 mm	pack of 5	2176

# STANDARD C, D & E STATIONS METRIC ABS



GUIDE ASSEMBLY



PUNCH

STRIPPER

DIE

SHIM

PUNCH AND GUIDE ASSEMBLY	CAT. NO.
Round Assembly	14271i
Shape Assembly	14265i
PUNCH	CAT. NO.
Round ABS M14 Thread	13614i
Shape ABS M14 Thread	13615i
STRIPPER	CAT. NO.
Round ABS	5150i
Shape ABS	5151i
DIE	CAT. NO.
Round Slug Hugger®*	2196i
Round Standard	1850i
Shape Slug Hugger®*	2197i
Shape Standard	13807i

\* Slug Hugger dies must be ordered punch size plus clearance. Size restrictions apply.

DIE SHIM	CAT. NO.
0.25 mm single	2089
0.76 mm single	2725
1.50 mm single	2092
0.25 mm pack of 10	2210
0.76 mm pack of 10	2726
1.50 mm pack of 10	2174

PUNCH AND GUIDE ASSEMBLY	CAT. NO.
Round Assembly	14273i
Shape Assembly	14267i
PUNCH	CAT. NO.
Round ABS M14 Thread	13616i
Shape ABS M14 Thread	13617i
STRIPPER	CAT. NO.
Round ABS	5152i
Shape ABS	5153i
DIE	CAT. NO.
Round Slug Hugger®*	2198i
Round Standard	1865i
Shape Slug Hugger®*	2199i
Shape Standard	13810i

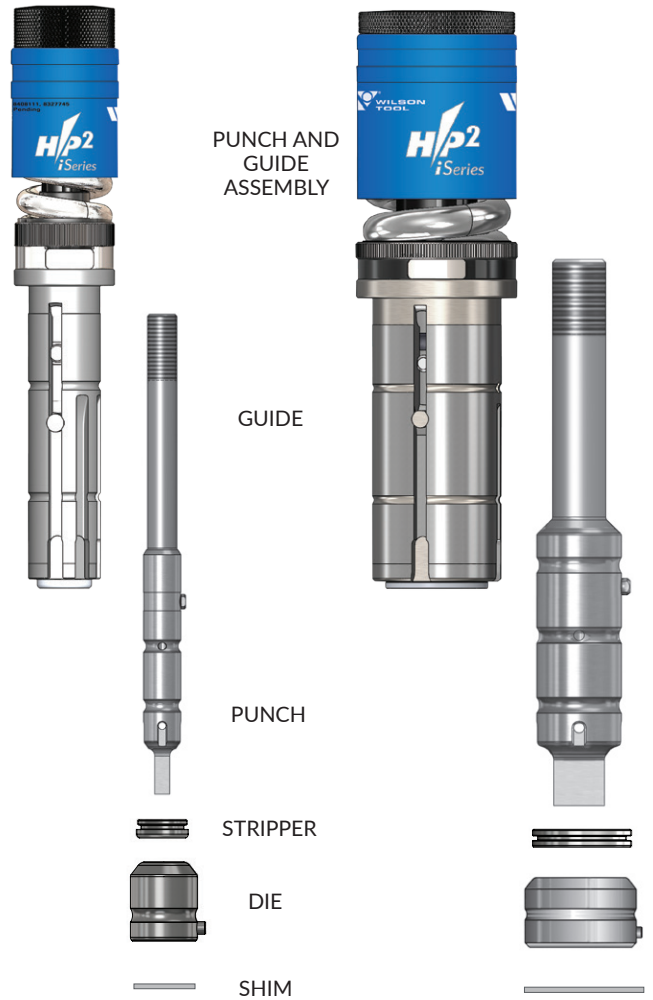
\* Slug Hugger dies must be ordered punch size plus clearance. Size restrictions apply.

DIE SHIM	CAT. NO.
0.25 mm single	2081
0.76 mm single	2727
1.50 mm single	2084
0.25 mm pack of 5	2211
0.76 mm pack of 5	2728
1.50 mm pack of 5	2175

PUNCH AND GUIDE ASSEMBLY	CAT. NO.
Round Assembly	14275i
Shape Assembly	14269i
PUNCH	CAT. NO.
Round ABS M14 Thread	13618i
Shape ABS M14 Thread	13619i
STRIPPER	CAT. NO.
Round ABS	5154i
Shape ABS	5155i
DIE	CAT. NO.
Round Slug Hugger®*	2200i
Round Standard	1878i
Shape Slug Hugger®*	2201i
Shape Standard	13817i

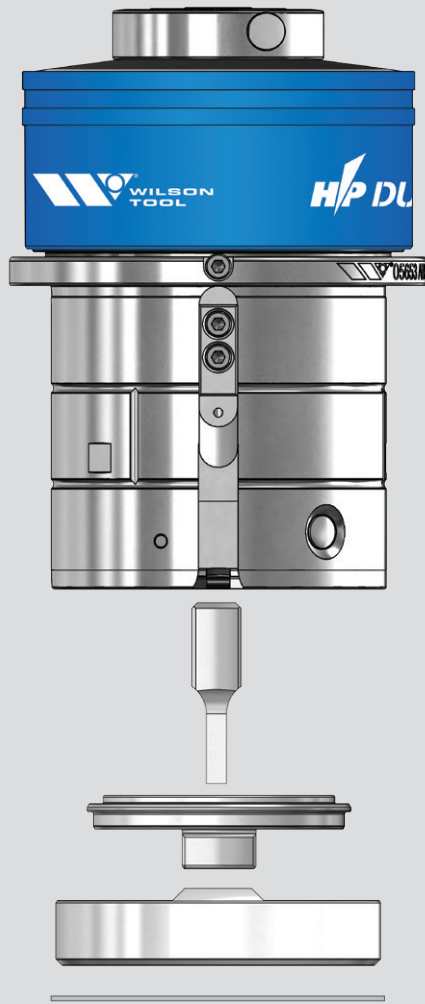
\* Slug Hugger dies must be ordered punch size plus clearance. Size restrictions apply.

DIE SHIM	CAT. NO.
0.25 mm single	2073
0.76 mm single	2729
1.50 mm single	2076
0.25 mm pack of 5	2212
0.76 mm pack of 5	2730
1.50 mm pack of 5	2176



A STATION CAT. NO.	PUNCH AND GUIDE ASSEMBLY	B STATION CAT. NO.
14026i	Round	14029i
14012i	Shape	14018i
CAT. NO.	GUIDE	CAT. NO.
14076i	Round	14084i
14077i	Shape 0°	14085i
14079i	Shape 0° & 45°	14087i
14078i	Shape 0° & 90°	14086i
CAT. NO.	PUNCH	CAT. NO.
13904i	Round	13916i
13905i	Shape	13917i
CAT. NO.	STRIPPER	CAT. NO.
13045i	Round	2433i
13152i	Shape	2432i
CAT. NO.	DIE	CAT. NO.
2192i	Round Slug Hugger®	2194i
1808i	Round Standard	2021i
2193i	Shape Slug Hugger®	2195i
13801i	Shape Standard	13804i
CAT. NO.	DIE SHIM	CAT. NO.
2101	0.25 mm single	2097
2721	0.76 mm single	2723
2104	1.50 mm single	2100
2208	0.25 mm pack of 25	2209
2722	0.76 mm pack of 25	2724
2172	1.50 mm pack of 25	2173

A STATION CAT. NO.	PUNCH AND GUIDE ASSEMBLY	B STATION CAT. NO.
14054i	Round	14058i
14055i	Shape	14059i
14153i	Spring Pack Assembly	14172i
CAT. NO.	PUNCH	CAT. NO.
13869i	Round pinned	13871i
13870i	Shape	13872i
CAT. NO.	GUIDE	CAT. NO.
14076i	Round	14084i
14077i	Shape 0°	14085i
14079i	Shape 0° & 45°	14087i
14078i	Shape 0° & 90°	14086i
CAT. NO.	STRIPPER	CAT. NO.
13045i	Round	2433i
13152i	Shape	2432i
CAT. NO.	DIE	CAT. NO.
2192i	Round Slug Hugger®	2194i
1808i	Round Standard	2021i
2193i	Shape Slug Hugger®	2195i
13801i	Shape Standard	13804i
CAT. NO.	DIE SHIM	CAT. NO.
2101	0.25 mm single	2097
2721	0.76mm single	2723
2104	1.50 mm single	2100
2208	0.25 mm pack of 25	2209
2722	0.76 mm pack of 25	2724
2172	1.50 mm pack of 25	2173



GUIDE  
ASSEMBLY

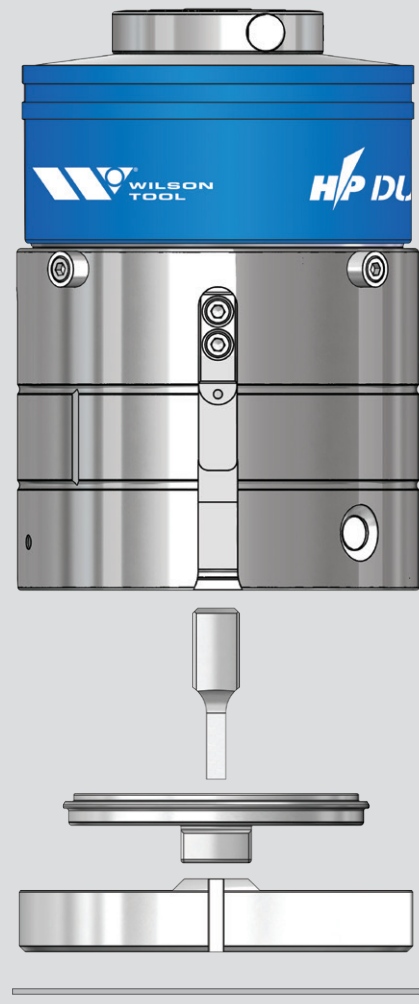
PUNCH

STRIPPER

DIE

SHIM

PUNCH AND GUIDE ASSEMBLY		CAT. NO.
Assembly ABS /WLS - 2 Sided Relief		5766i
Assembly ABS /WLS - 1 Sided Relief		5774i
PUNCH		CAT. NO.
Punch Blade		5657i
STRIPPER		CAT. NO.
ABS 2-Sided Relief		5664i
ABS 1-Sided Relief		5666i
DIE		CAT. NO.
Slug Hugger®* (relief 2 sides, shape at 90°)		5157i
Slug Hugger®* (relief 2 sides, shape at 0° - 90°)		5330i
Slug Hugger®* (relief 1 side, shape at 90°)		2464i
Slug Hugger®* (relief 2 side, shape at 0° - 90°)		5333i
Standard (relief 2 sides, shape at 90°)		13814i
Standard (relief 2 sides, shape at 0° - 90°)		13813i
Standard (relief 1 side, shape at 90°)		13812i
Standard (relief 1 side, shape at 0° - 90°)		13811i
* Slug Hugger dies must be ordered punch size plus clearance. Size restrictions apply.		
DIE SHIM		CAT. NO.
0.25 mm	single	2081
0.76 mm	single	2727
1.50 mm	single	2084
0.25 mm	pack of 5	2211
0.76 mm	pack of 5	2728
1.50 mm	pack of 5	2175



PUNCH AND GUIDE ASSEMBLY		CAT. NO.
Assembly ABS /WLS - 2 Sided Relief		5767i
Assembly ABS /WLS - 1 Sided Relief		5776i
PUNCH		CAT. NO.
Punch Blade		5630i
STRIPPER		CAT. NO.
ABS 2-Sided Relief		5640i
ABS 1-Sided Relief		5642i
DIE		CAT. NO.
Slug Hugger®* (relief 2 sides, shape at 90°)		5159i
Slug Hugger®* (relief 2 sides, shape at 0°-90°)		5340i
Slug Hugger®* (relief 1 side, shape at 90°)		2467i
Slug Hugger®* (relief 1 side, shape at 0°-90°)		5343i
Standard (relief 2 sides, shape at 90°)		13821i
Standard (relief 2 sides, shape at 0°-90°)		13820i
Standard (relief 1 side, shape at 90°)		13819i
Standard (relief 1 side, shape at 0°-90°)		13818i
* Slug Hugger dies must be ordered punch size plus clearance. Size restrictions apply.		
DIE SHIM		CAT. NO.
0.25 mm	single	2073
0.76 mm	single	2729
1.50 mm	single	2076
0.25 mm	pack of 5	2212
0.76 mm	pack of 5	2730
1.50 mm	pack of 5	2176



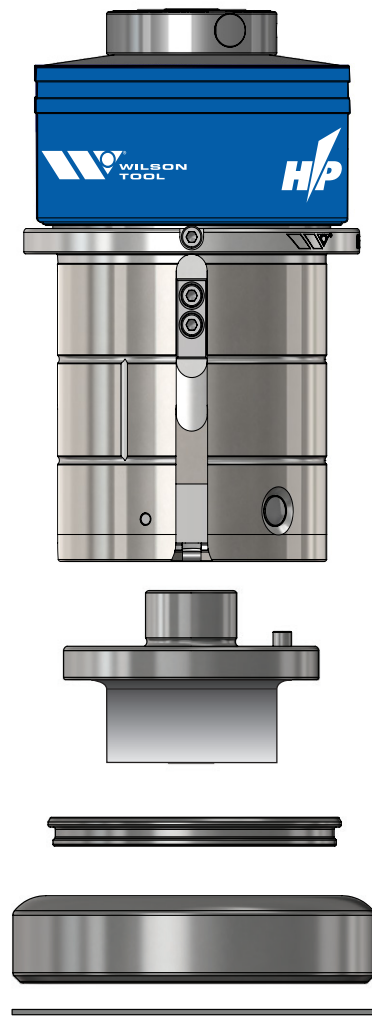
GUIDE  
ASSEMBLY

PUNCH

STRIPPER

DIE

SHIM



PUNCH AND GUIDE ASSEMBLY		CAT. NO.
Round ABS /WLS Assembly		5769i
Shape ABS /WLS Assembly		5768i
PUNCH		CAT. NO.
Round		5026i
Shape		5025i
HEAVY DUTY PUNCH		CAT. NO.
Round	12.7 - 31.75 mm	5117i
Round	31.77 - 41.27 mm	5120i
Shape	12.7 - 31.75 mm	5118i
Shape	31.77 - 41.27 mm	5119i
STRIPPER		CAT. NO.
Round ABS		5150i
Shape ABS		5151i
DIE		CAT. NO.
Round Slug Hugger®*		2196i
Round Standard		1850i
Shape Slug Hugger®*		2197i
Shape Standard		13807i
* Slug Hugger dies must be ordered punch size plus clearance. Size restrictions apply.		
DIE SHIM		CAT. NO.
0.25 mm	single	2089
0.76 mm	single	2725
1.50 mm	single	2092
0.25 mm	pack of 10	2210
0.76 mm	pack of 10	2726
1.50 mm	pack of 10	2174

PUNCH AND GUIDE ASSEMBLY		CAT. NO.
Round ABS/WLS Assembly		5771i
Shape ABS/WLS Assembly		5770i
PUNCH		CAT. NO.
Round		5028i
Shape		5027i
STRIPPER		CAT. NO.
Round ABS		5152i
Shape ABS		5153i
DIE		CAT. NO.
Round Slug Hugger®*		2198i
Round Standard		1865i
Shape Slug Hugger®*		2199i
Shape Standard		13810i
* Slug Hugger dies must be ordered punch size plus clearance. Size restrictions apply.		
DIE SHIM		CAT. NO.
0.25 mm	single	2081
0.76 mm	single	2727
1.50 mm	single	2084
0.25 mm	pack of 5	2211
0.76 mm	pack of 5	2728
1.50 mm	pack of 5	2175

# WILSON HP E STATION ABS

GUIDE ASSEMBLY



PUNCH



STRIPPER



DIE

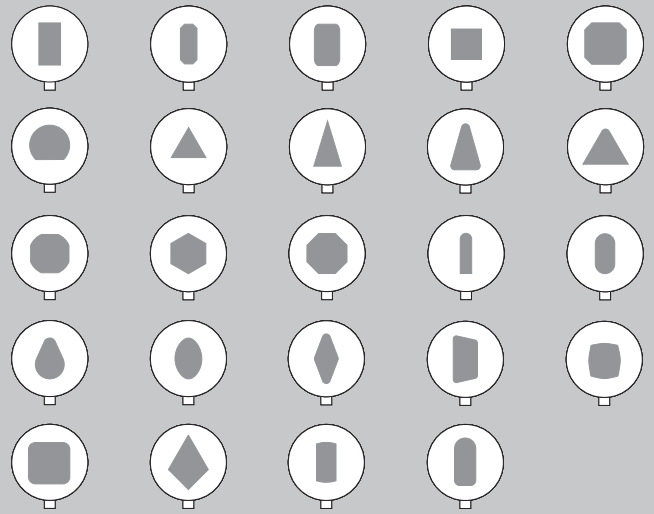


SHIM



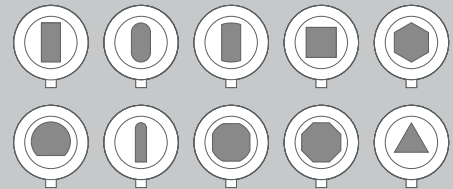
PUNCH AND GUIDE ASSEMBLY		CAT. NO.
Round ABS/WLS Assembly		5773i
Shape ABS/WLS Assembly		5772i
PUNCH		CAT. NO.
Round		5030i
Shape		5029i
STRIPPER		CAT. NO.
Round ABS		5154i
Shape ABS		5155i
DIE		CAT. NO.
Round Slug Hugger®*		2200i
Round Standard		1878i
Shape Slug Hugger®*		2201i
Shape Standard		13817i
* Slug Hugger dies must be ordered punch size plus clearance. Size restrictions apply.		
DIE SHIM		CAT. NO.
0.25 mm	single	2073
0.76 mm	single	2729
1.50 mm	single	2076
0.25 mm	pack of 5	2212
0.76 mm	pack of 5	2730
1.50 mm	pack of 5	2176

## 25 STANDARD SHAPES

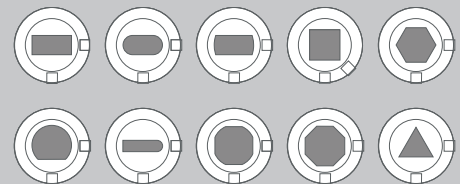


## STANDARD KEYING LOCATIONS DIE VIEW

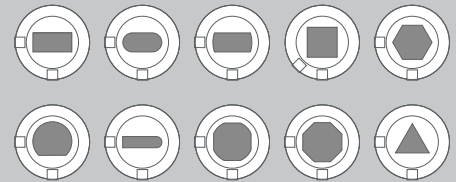
### A & B STATION



### C STATION



### D STATION



### E STATION

