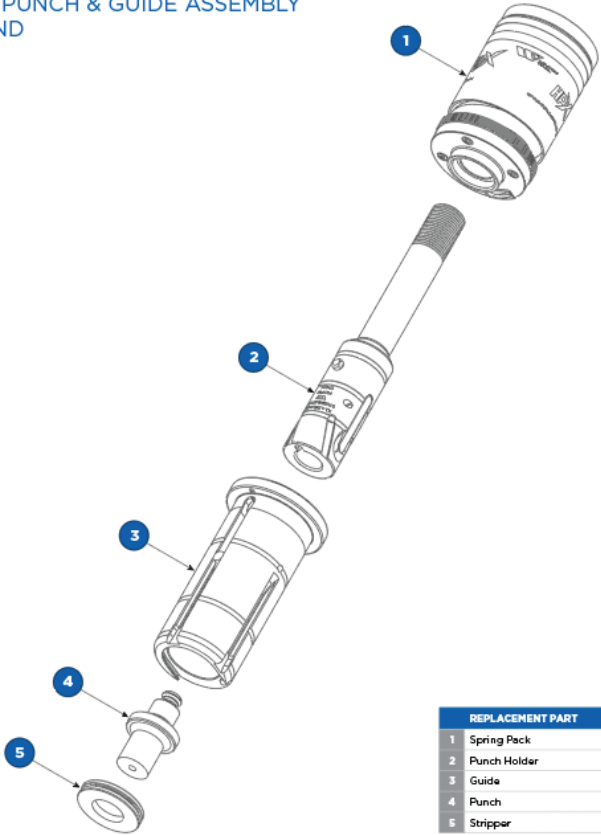


THICK TURRET ASSEMBLY BOMs

PART # 14939
1-1/4" B STATION
HPX® PUNCH & GUIDE ASSEMBLY
ROUND

REPLACEMENT PART	CAT. NO.
1 Spring Pack	14367
2 Punch Holder	14929
3 Guide	14084X
4 Punch	13916
5 Stripper	2433

Wilson Tool International | wilsontool.com | 800.328.9646



**WILSON
STYLE**

SELECT YOUR CATALOG NUMBER BELOW

**METRIC
STYLE**

SMALL STATION ASSEMBLIES

A Station				
HPX®	14936	14936i	14937	14937i
HP2	13767	13770	13769	13772
HP	12781	12793	13137	13146
HP Heavy Duty	12857	12861	13182	13185
Basix	13453	—	13455	—
Basix Heavy Duty	13514	—	13516	—



B Station				
HPX®	14939	14939i	14940	14940i
HP2	13779	13782	13781	13784
HP	12827	12831	13167	13170
HP Heavy Duty	12873	12877	13194	13197
Basix	2851	—	2853	—
Basix Heavy Duty	13520	—	13522	—



SMALL STATION ASSEMBLIES

A Station						
HPX®	14936	—	14936i	14937	—	14937i
HP2	14052	14054	14054i	14053	14055	14055i
Basix	13057	13856	—	13059	13858	—



B Station						
HPX®	14939	—	14939i	14940	—	14940i
HP2	14056	14058	14058i	14057	14059	14059i
Basix	13090	13860	—	13092	13862	—



LARGE STATION ASSEMBLIES

C Station			
HP	5792	5789	5784i
	—	5769i	5768i
Standard	5583	—	—
Basix	1842	—	—



D Station			
HP	5553	5523	5523i
	—	5771i	5770i
Standard	5584	—	—
Basix	1857	—	—
HP DuraBlade®	5663	5653	5353i



E Station			
HP	5554	5533	5533i
	—	5773i	5772i
Standard	5585	—	—
Basix	1872	—	—
HP DuraBlade®	5639	5626	5626i



LARGE STATION ASSEMBLIES

C Station			
HP	5800	5797	13829i
Standard	5592	13084	13084i
Basix	1842	—	—



D Station			
HP	5578	13830	13830i
Standard	5593	13085	13085i
Basix	1857	—	—
HP DuraBlade®	5663	5653	5353i



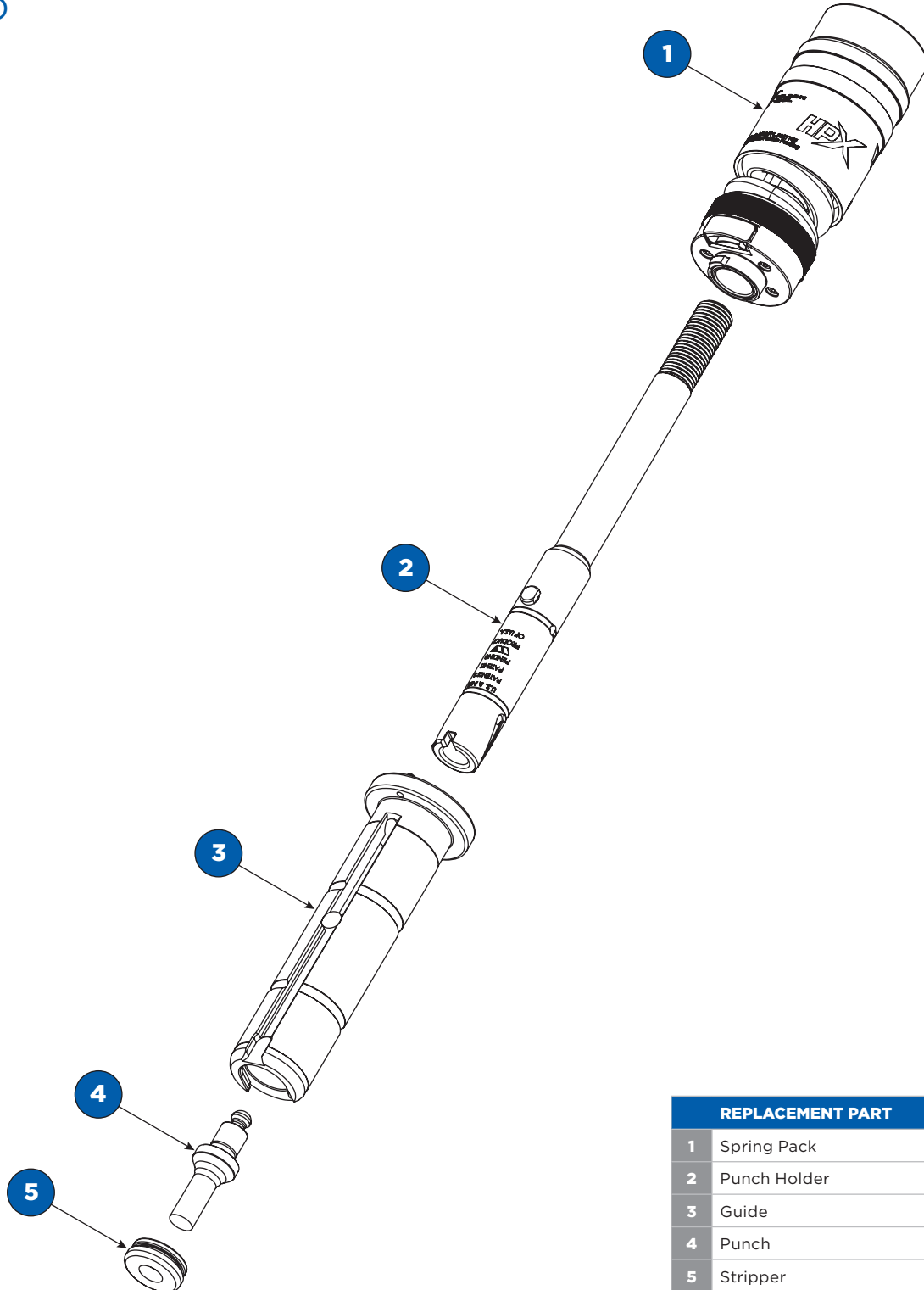
E Station			
HP	5579	13831	13831i
Standard	5594	13088	13088i
Basix	1872	—	—
HP DuraBlade®	5639	5626	5626i



PART # 14936

1/2" A STATION

HPX® PUNCH & GUIDE ASSEMBLY
ROUND

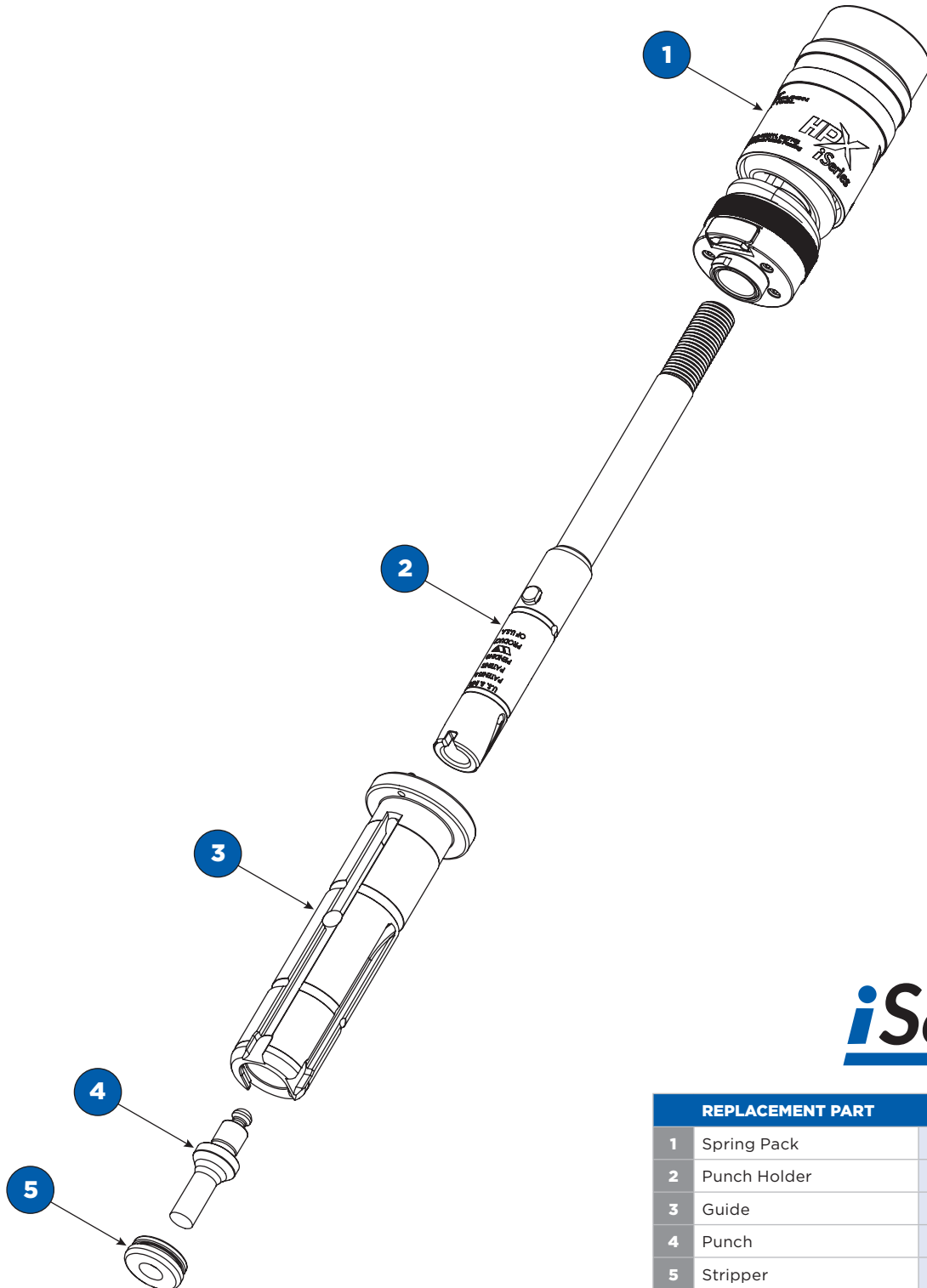


	REPLACEMENT PART	CAT. NO.
1	Spring Pack	14366
2	Punch Holder	14907
3	Guide	14077X
4	Punch	13904
5	Stripper	13045

PART # 14936i

1/2" **A** STATION

HPX® PUNCH & GUIDE ASSEMBLY
ROUND



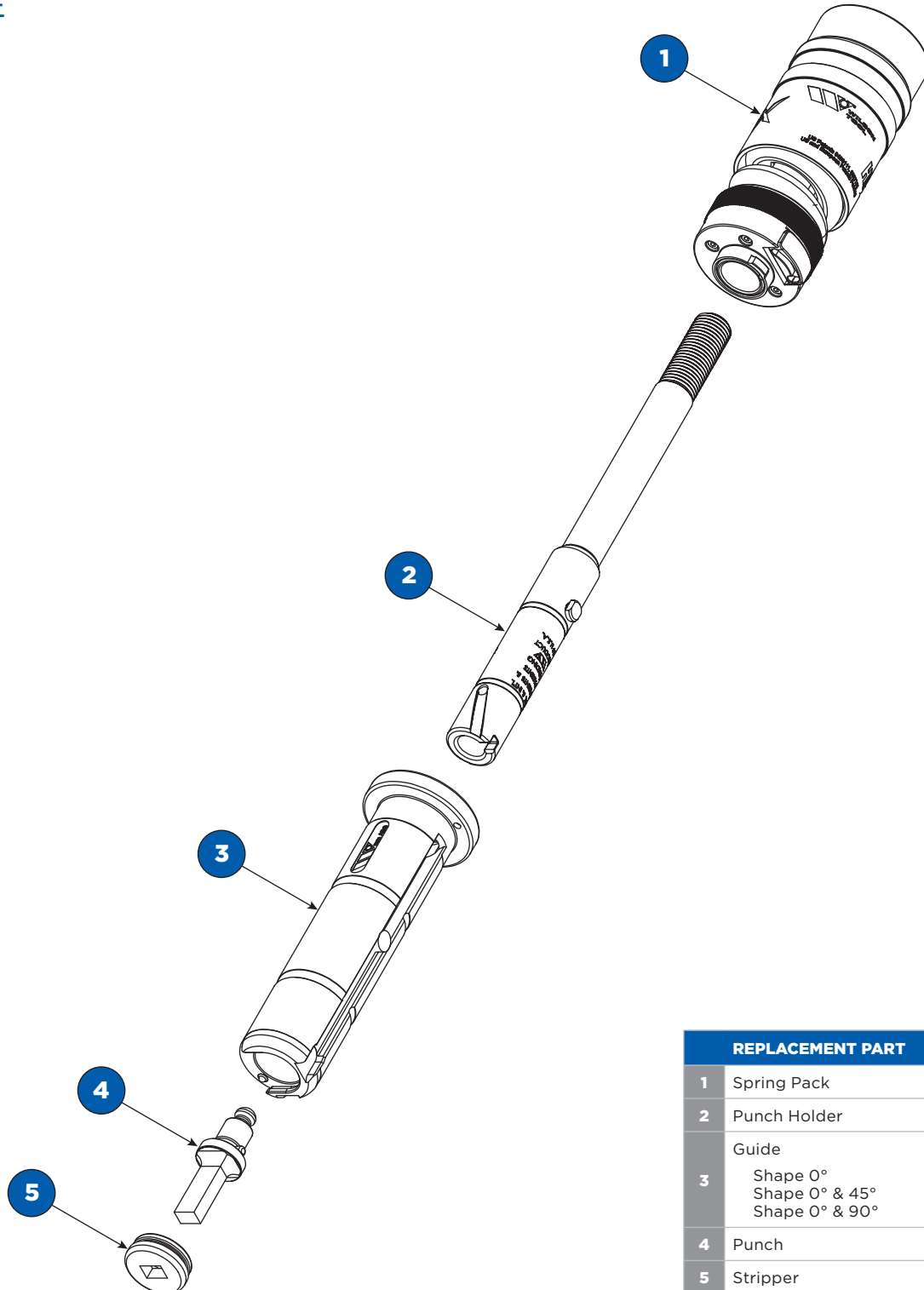
iSeries

REPLACEMENT PART	CAT. NO.
1 Spring Pack	14366i
2 Punch Holder	14907
3 Guide	14078i
4 Punch	13904i
5 Stripper	13045i

PART # 14937

1/2" **A** STATION

HPX[®] PUNCH & GUIDE ASSEMBLY
SHAPE

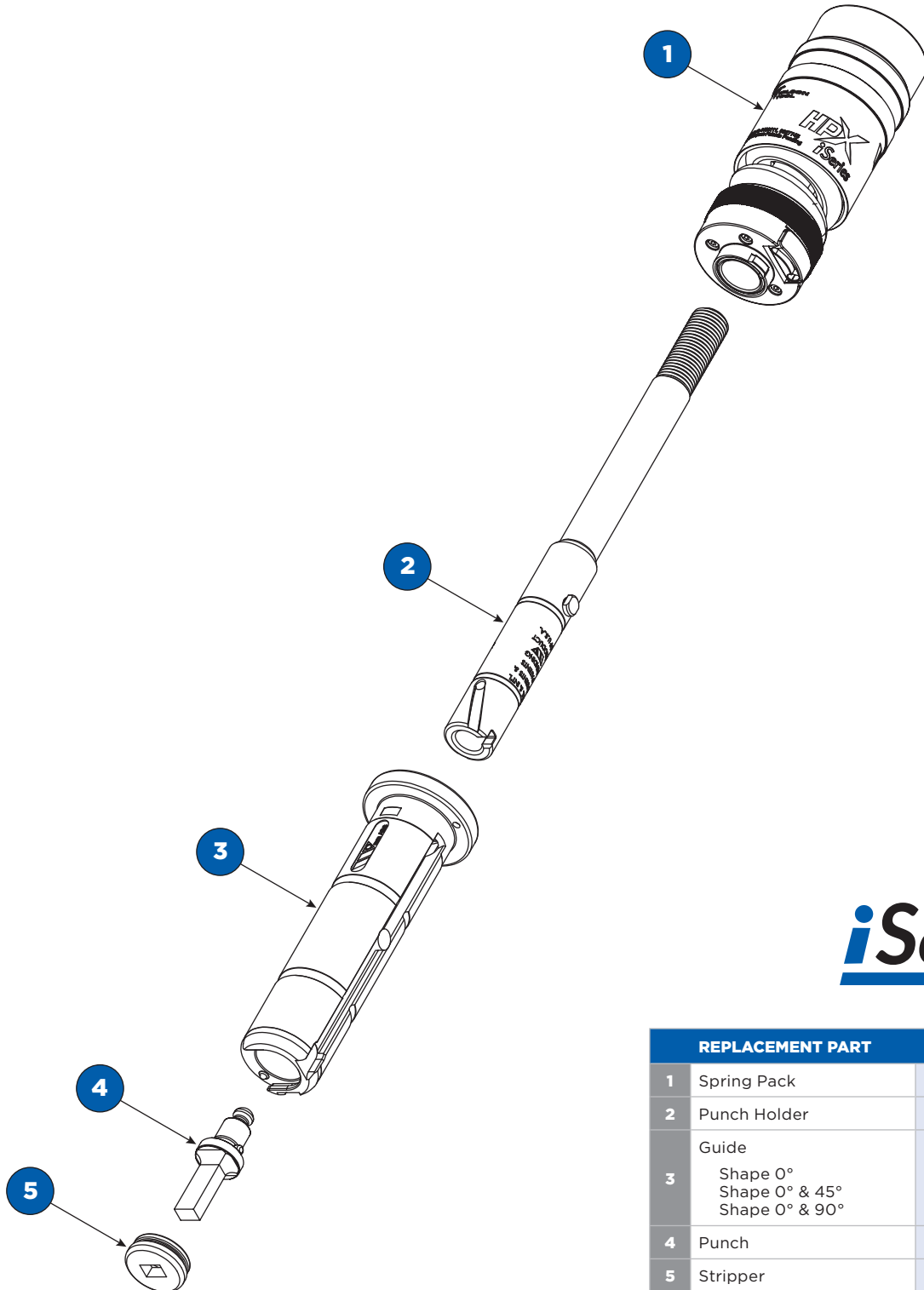


REPLACEMENT PART		CAT. NO.
1	Spring Pack	14366
2	Punch Holder	14907
3	Guide	
	Shape 0°	14077X
	Shape 0° & 45°	14079X
	Shape 0° & 90°	14078X
4	Punch	13905
5	Stripper	13152

PART # 14937i

1/2" **A** STATION

HPX[®] PUNCH & GUIDE ASSEMBLY
SHAPE

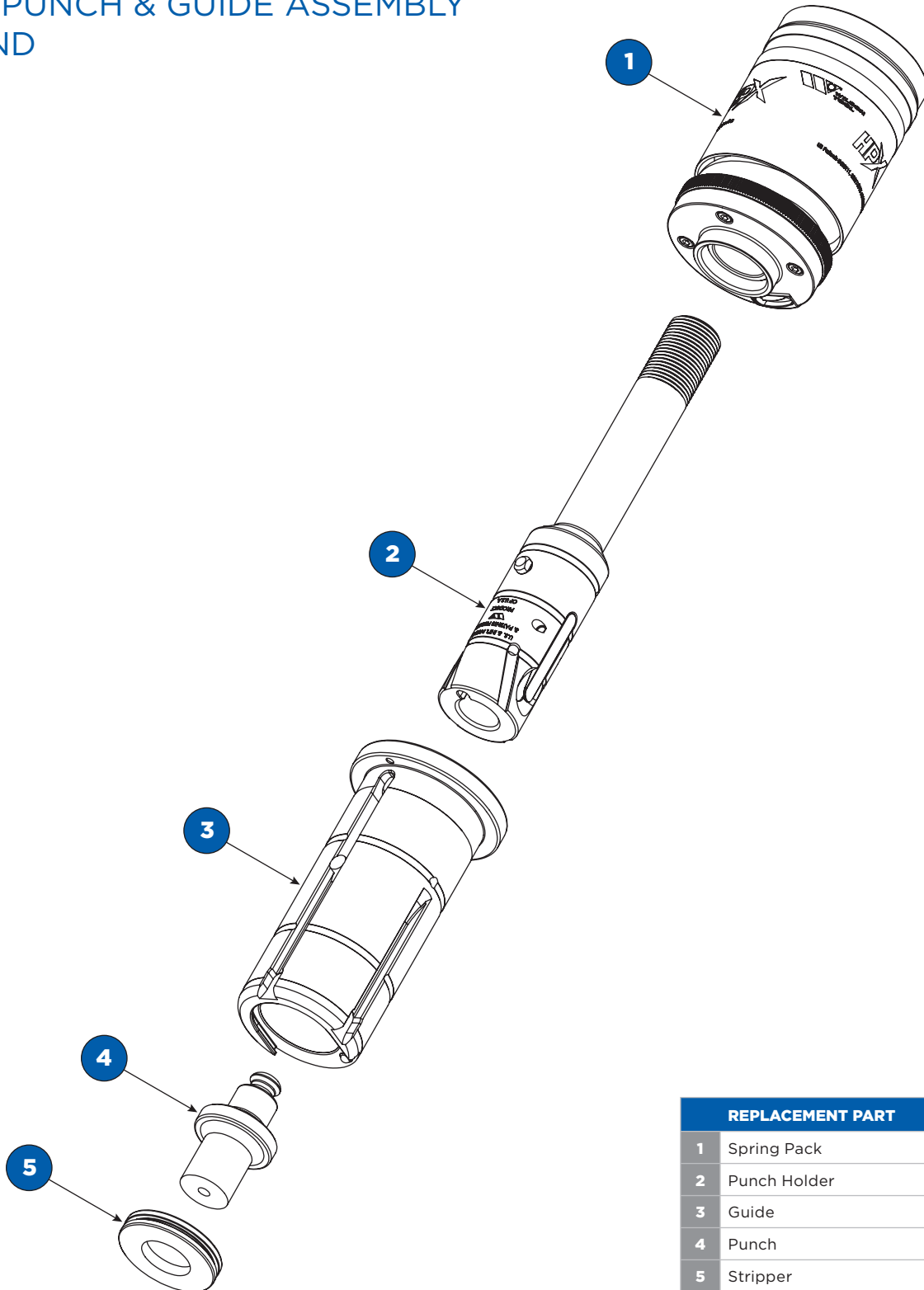


iSeries

REPLACEMENT PART		CAT. NO.
1	Spring Pack	14366i
2	Punch Holder	14907
3	Guide	
	Shape 0°	14077i
	Shape 0° & 45°	14079i
	Shape 0° & 90°	14078i
4	Punch	13905i
5	Stripper	13152i

PART # 14939

1-1/4" **B** STATION
HPX® PUNCH & GUIDE ASSEMBLY
ROUND

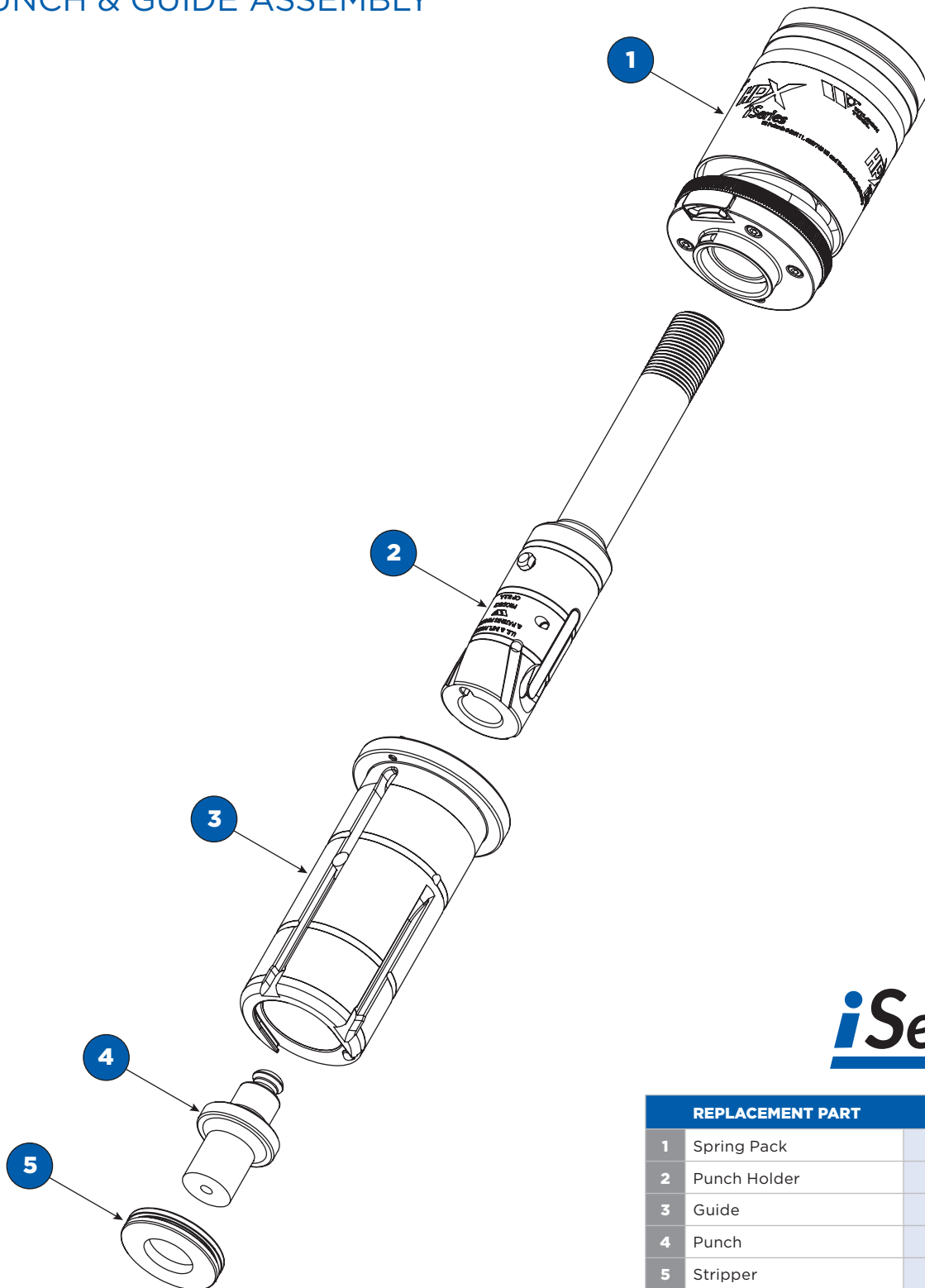


	REPLACEMENT PART	CAT. NO.
1	Spring Pack	14367
2	Punch Holder	14929
3	Guide	14084X
4	Punch	13916
5	Stripper	2433

PART # 14939i

1-1/4" **B** STATION

HPX® PUNCH & GUIDE ASSEMBLY
ROUND



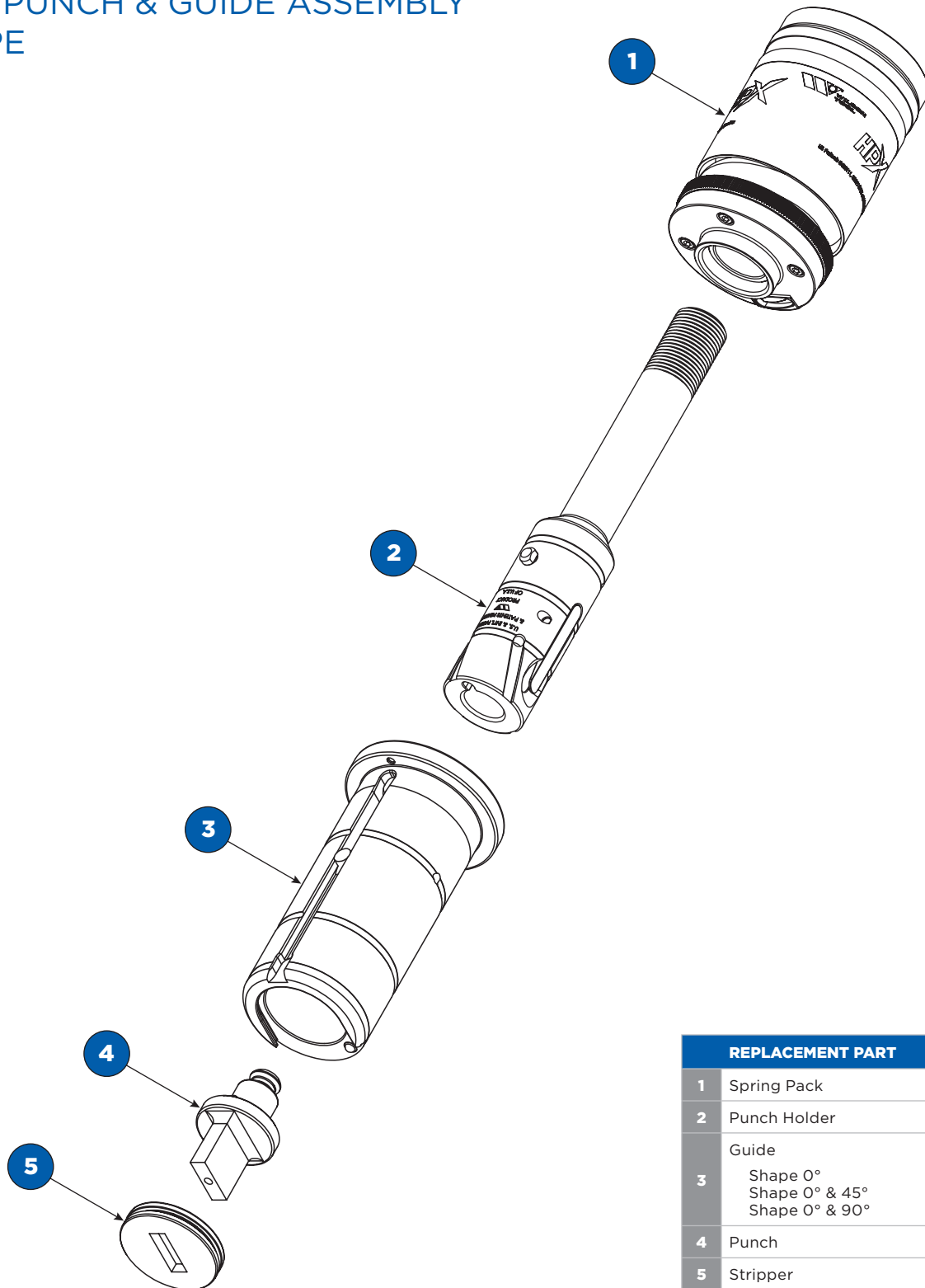
iSeries

	REPLACEMENT PART	CAT. NO.
1	Spring Pack	14367i
2	Punch Holder	14929
3	Guide	14084i
4	Punch	13916i
5	Stripper	2433i

PART # 14940

1-1/4" **B** STATION

HPX® PUNCH & GUIDE ASSEMBLY
SHAPE

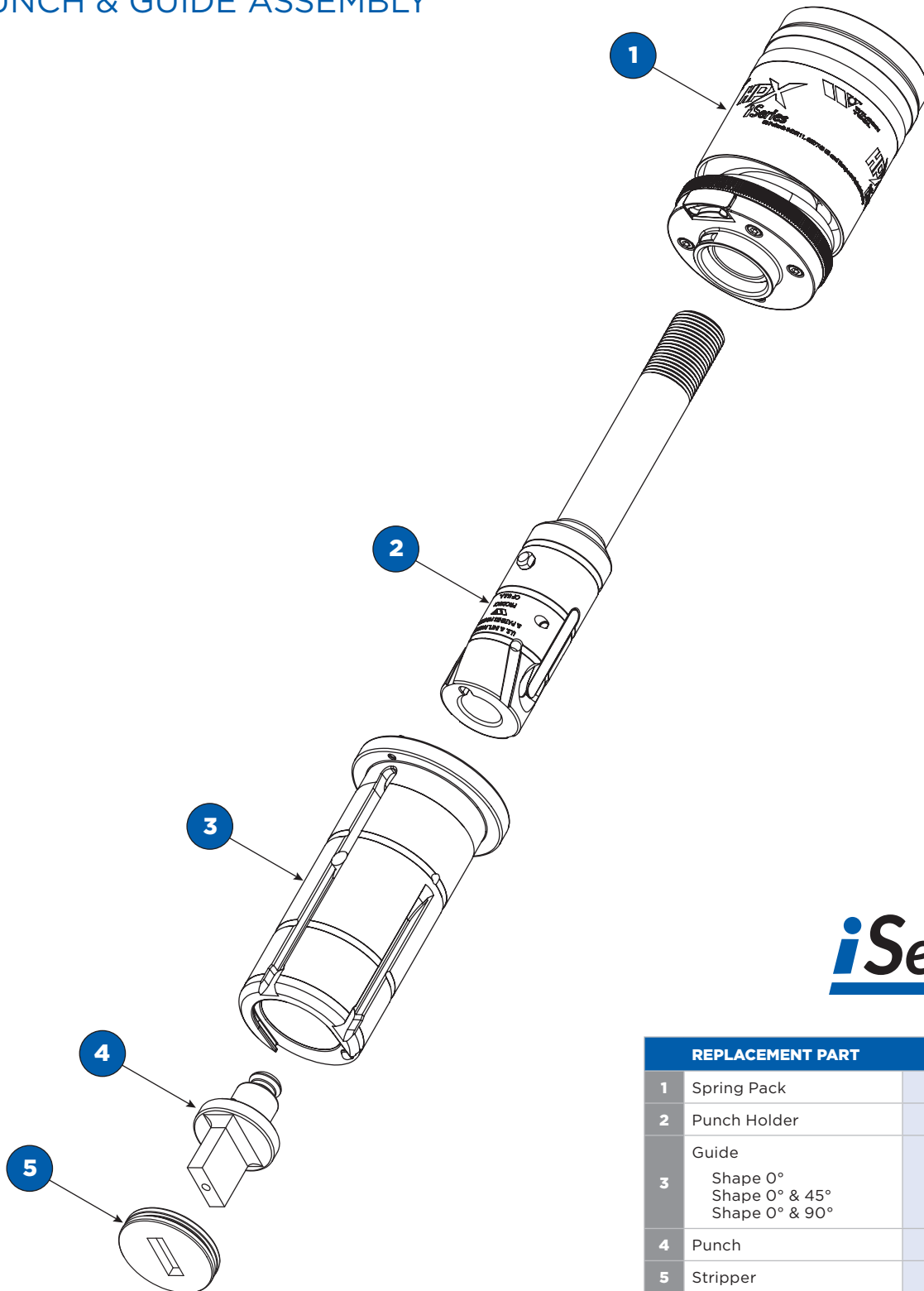


REPLACEMENT PART		CAT. NO.
1	Spring Pack	14367
2	Punch Holder	14929
3	Guide	
	Shape 0°	14085X
	Shape 0° & 45°	14087X
	Shape 0° & 90°	14086X
4	Punch	13917
5	Stripper	2432

PART # 14940i

1-1/4" **B** STATION

HPX® PUNCH & GUIDE ASSEMBLY
SHAPE



iSeries

REPLACEMENT PART		CAT. NO.
1	Spring Pack	14367i
2	Punch Holder	14929
3	Guide	
	Shape 0°	14085i
	Shape 0° & 45°	14087i
	Shape 0° & 90°	14086i
4	Punch	13917i
5	Stripper	2432i

PART # 13767

1/2" **A** STATION
HP2 PUNCH & GUIDE ASSEMBLY
ROUND

BOM drawing for this assembly is not currently available.

**PLEASE CONTACT ONE OF OUR
TOOLING TECHNICIANS FOR ASSISTANCE**



punching@wilsontool.com



800.328.9646



wilsontool.com/contact-us

PART # 13770

1/2" **A** STATION
HP2 ABS PUNCH & GUIDE ASSEMBLY
ROUND

BOM drawing for this assembly is not currently available.

**PLEASE CONTACT ONE OF OUR
TOOLING TECHNICIANS FOR ASSISTANCE**



punching@wilsontool.com



800.328.9646



wilsontool.com/contact-us

PART # 13769

1/2"  STATION
HP2 PUNCH & GUIDE ASSEMBLY
SHAPE

BOM drawing for this assembly is not currently available.

**PLEASE CONTACT ONE OF OUR
TOOLING TECHNICIANS FOR ASSISTANCE**



punching@wilsontool.com



800.328.9646



wilsontool.com/contact-us

PART # 13772

1/2"  STATION

HP2 ABS PUNCH & GUIDE ASSEMBLY
SHAPE

BOM drawing for this assembly is not currently available.

**PLEASE CONTACT ONE OF OUR
TOOLING TECHNICIANS FOR ASSISTANCE**



punching@wilsontool.com



800.328.9646



wilsontool.com/contact-us

PART # 12781

1/2" **A** STATION
HP PUNCH & GUIDE ASSEMBLY
ROUND

BOM drawing for this assembly is not currently available.

**PLEASE CONTACT ONE OF OUR
TOOLING TECHNICIANS FOR ASSISTANCE**



punching@wilsontool.com



800.328.9646



wilsontool.com/contact-us

PART # 12793

1/2"  STATION

HP ABS PUNCH & GUIDE ASSEMBLY
ROUND

BOM drawing for this assembly is not currently available.

**PLEASE CONTACT ONE OF OUR
TOOLING TECHNICIANS FOR ASSISTANCE**



punching@wilsontool.com



800.328.9646



wilsontool.com/contact-us

PART # 13137

1/2"  STATION
HP PUNCH & GUIDE ASSEMBLY
SHAPE

BOM drawing for this assembly is not currently available.

**PLEASE CONTACT ONE OF OUR
TOOLING TECHNICIANS FOR ASSISTANCE**



punching@wilsontool.com



800.328.9646



wilsontool.com/contact-us

PART # 13146

1/2" **A** STATION

HP ABS PUNCH & GUIDE ASSEMBLY
SHAPE

BOM drawing for this assembly is not currently available.

**PLEASE CONTACT ONE OF OUR
TOOLING TECHNICIANS FOR ASSISTANCE**



punching@wilsontool.com



800.328.9646



wilsontool.com/contact-us

PART # 13779

1-1/4" **B** STATION
HP2 PUNCH & GUIDE ASSEMBLY
ROUND

BOM drawing for this assembly is not currently available.

**PLEASE CONTACT ONE OF OUR
TOOLING TECHNICIANS FOR ASSISTANCE**



punching@wilsontool.com



800.328.9646



wilsontool.com/contact-us

PART # 13782

1-1/4" **B** STATION

HP2 ABS PUNCH & GUIDE ASSEMBLY
ROUND

BOM drawing for this assembly is not currently available.

**PLEASE CONTACT ONE OF OUR
TOOLING TECHNICIANS FOR ASSISTANCE**



punching@wilsontool.com



800.328.9646



wilsontool.com/contact-us

PART # 13781

1-1/4" **B** STATION
HP2 PUNCH & GUIDE ASSEMBLY
SHAPE

BOM drawing for this assembly is not currently available.

**PLEASE CONTACT ONE OF OUR
TOOLING TECHNICIANS FOR ASSISTANCE**



punching@wilsontool.com



800.328.9646



wilsontool.com/contact-us

PART # 13784

1-1/4" **B** STATION

HP2 ABS PUNCH & GUIDE ASSEMBLY
SHAPE

BOM drawing for this assembly is not currently available.

**PLEASE CONTACT ONE OF OUR
TOOLING TECHNICIANS FOR ASSISTANCE**



punching@wilsontool.com



800.328.9646



wilsontool.com/contact-us

PART # 12827

1-1/4" **B** STATION
HP PUNCH & GUIDE ASSEMBLY
ROUND

BOM drawing for this assembly is not currently available.

**PLEASE CONTACT ONE OF OUR
TOOLING TECHNICIANS FOR ASSISTANCE**



punching@wilsontool.com



800.328.9646



wilsontool.com/contact-us

PART # 12831

1-1/4" **B** STATION

HP ABS PUNCH & GUIDE ASSEMBLY
ROUND

BOM drawing for this assembly is not currently available.

**PLEASE CONTACT ONE OF OUR
TOOLING TECHNICIANS FOR ASSISTANCE**



punching@wilsontool.com



800.328.9646



wilsontool.com/contact-us

PART # 13167

1-1/4" **B** STATION
HP PUNCH & GUIDE ASSEMBLY
SHAPE

BOM drawing for this assembly is not currently available.

**PLEASE CONTACT ONE OF OUR
TOOLING TECHNICIANS FOR ASSISTANCE**



punching@wilsontool.com



800.328.9646



wilsontool.com/contact-us

PART # 13170

1-1/4" **B** STATION

HP ABS PUNCH & GUIDE ASSEMBLY
SHAPE

BOM drawing for this assembly is not currently available.

**PLEASE CONTACT ONE OF OUR
TOOLING TECHNICIANS FOR ASSISTANCE**



punching@wilsontool.com



800.328.9646

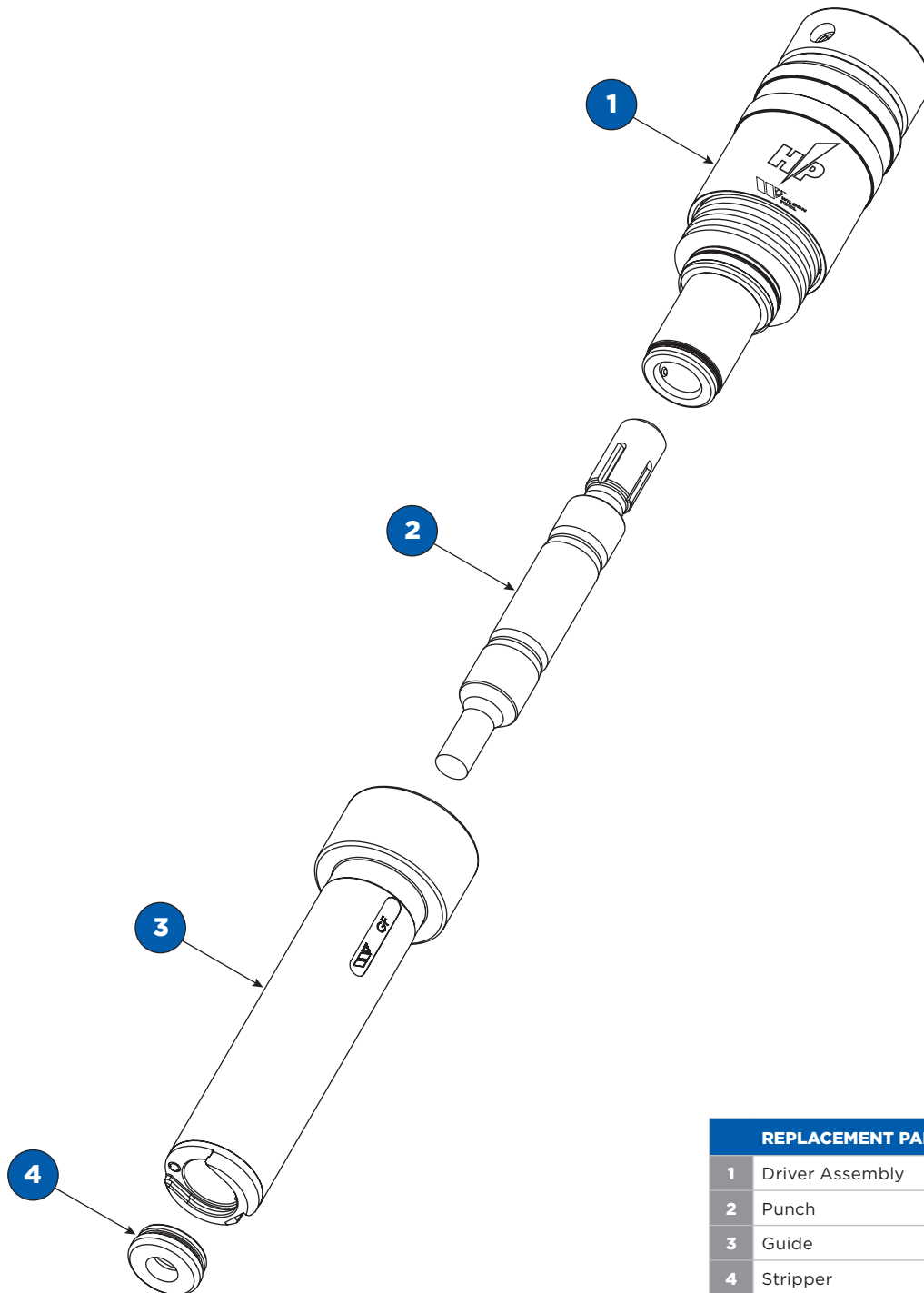


wilsontool.com/contact-us

PART # 12857

1/2" A STATION

HP HEAVY DUTY PUNCH & GUIDE ASSEMBLY
ROUND

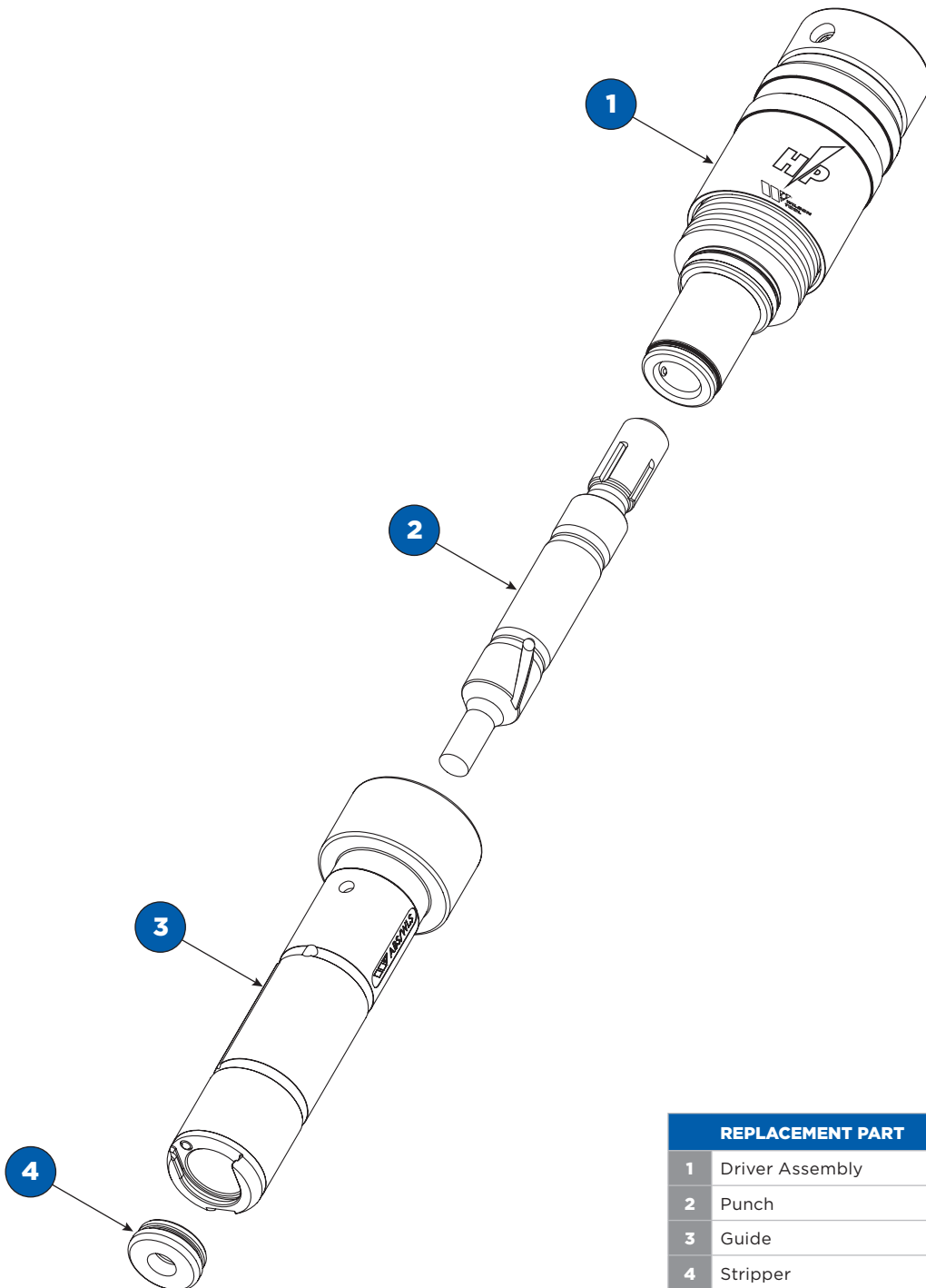


	REPLACEMENT PART	CAT. NO.
1	Driver Assembly	2748
2	Punch	2405
3	Guide	2821
4	Stripper	13044

PART # 12861

1/2" **A** STATION

HP ABS HEAVY DUTY PUNCH & GUIDE ASSEMBLY
ROUND



	REPLACEMENT PART	CAT. NO.
1	Driver Assembly	2748
2	Punch	2385
3	Guide	2835
4	Stripper	13045

PART # 13182

1/2"  STATION

HP HEAVY DUTY PUNCH & GUIDE ASSEMBLY
SHAPE

BOM drawing for this assembly is not currently available.

**PLEASE CONTACT ONE OF OUR
TOOLING TECHNICIANS FOR ASSISTANCE**



punching@wilsontool.com



800.328.9646



wilsontool.com/contact-us

PART # 13185

1/2" **A** STATION

HP ABS HEAVY DUTY PUNCH & GUIDE ASSEMBLY
SHAPE

BOM drawing for this assembly is not currently available.

**PLEASE CONTACT ONE OF OUR
TOOLING TECHNICIANS FOR ASSISTANCE**



punching@wilsontool.com



800.328.9646

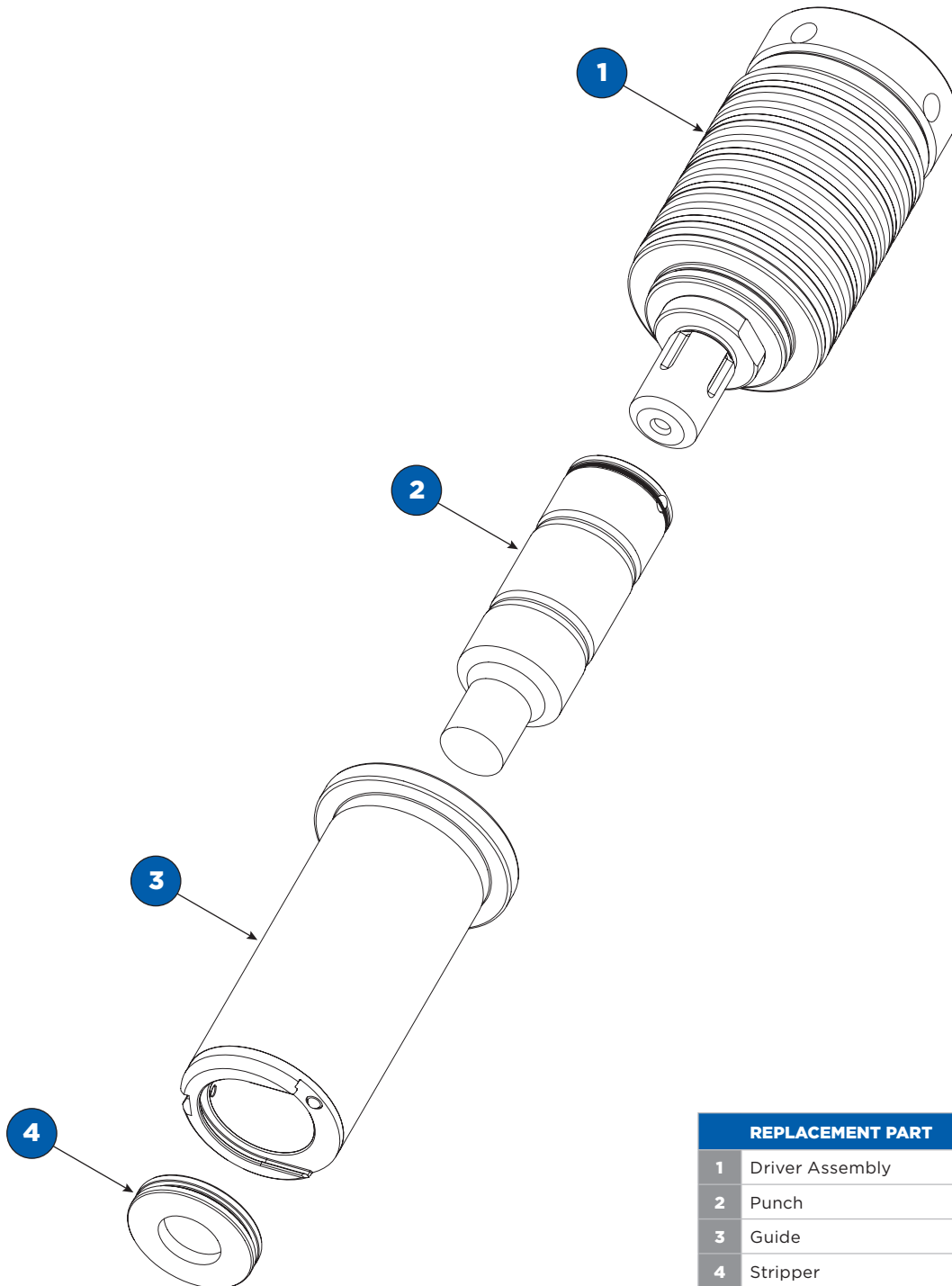


wilsontool.com/contact-us

PART # 12873

1-1/4" B STATION

HP HEAVY DUTY PUNCH & GUIDE ASSEMBLY
ROUND

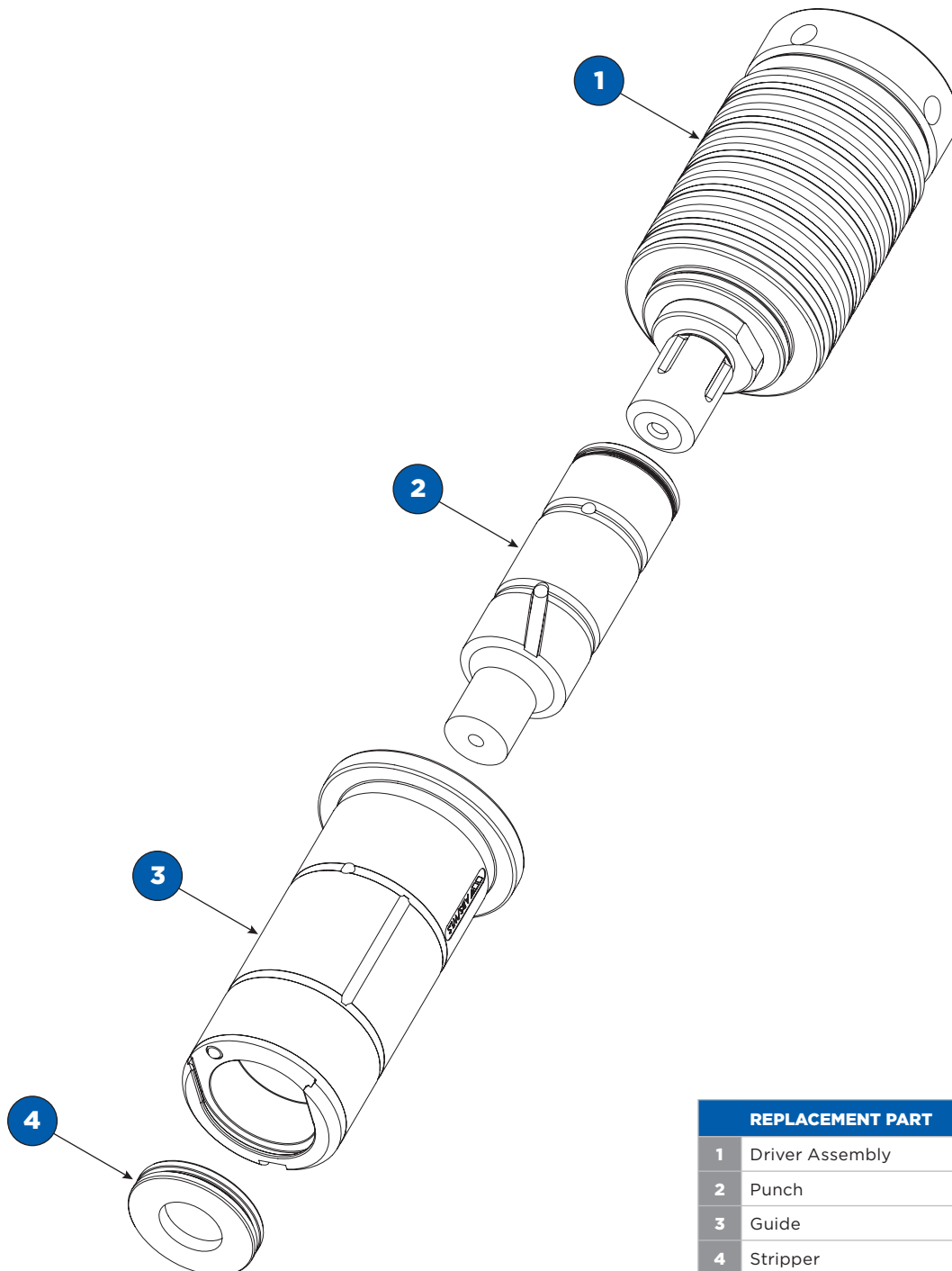


	REPLACEMENT PART	CAT. NO.
1	Driver Assembly	2750
2	Punch	2407
3	Guide	2859
4	Stripper	1890

PART # 12877

1-1/4" B STATION

HP ABS HEAVY DUTY PUNCH & GUIDE ASSEMBLY
ROUND



	REPLACEMENT PART	CAT. NO.
1	Driver Assembly	2750
2	Punch	2398
3	Guide	2881
4	Stripper	2433

PART # 13194

1-1/4" **B** STATION

HP HEAVY DUTY PUNCH & GUIDE ASSEMBLY
SHAPE

BOM drawing for this assembly is not currently available.

**PLEASE CONTACT ONE OF OUR
TOOLING TECHNICIANS FOR ASSISTANCE**



punching@wilsontool.com



800.328.9646



wilsontool.com/contact-us

PART # 13197

1-1/4" **B** STATION

HP ABS HEAVY DUTY PUNCH & GUIDE ASSEMBLY
SHAPE

BOM drawing for this assembly is not currently available.

**PLEASE CONTACT ONE OF OUR
TOOLING TECHNICIANS FOR ASSISTANCE**



punching@wilsontool.com



800.328.9646



wilsontool.com/contact-us

PART # 13453

1/2" **A** STATION
BASIX PUNCH & GUIDE ASSEMBLY
ROUND

BOM drawing for this assembly is not currently available.

**PLEASE CONTACT ONE OF OUR
TOOLING TECHNICIANS FOR ASSISTANCE**



punching@wilsontool.com



800.328.9646



wilsontool.com/contact-us

PART # 13455

1/2"  STATION
BASIX PUNCH & GUIDE ASSEMBLY
SHAPE

BOM drawing for this assembly is not currently available.

**PLEASE CONTACT ONE OF OUR
TOOLING TECHNICIANS FOR ASSISTANCE**



punching@wilsontool.com



800.328.9646



wilsontool.com/contact-us

PART # 2851

1-1/4" **B** STATION
BASIX PUNCH & GUIDE ASSEMBLY
ROUND

BOM drawing for this assembly is not currently available.

**PLEASE CONTACT ONE OF OUR
TOOLING TECHNICIANS FOR ASSISTANCE**



punching@wilsontool.com



800.328.9646



wilsontool.com/contact-us

PART # 2853

1-1/4" **B** STATION
BASIX PUNCH & GUIDE ASSEMBLY
SHAPE

BOM drawing for this assembly is not currently available.

**PLEASE CONTACT ONE OF OUR
TOOLING TECHNICIANS FOR ASSISTANCE**



punching@wilsontool.com



800.328.9646

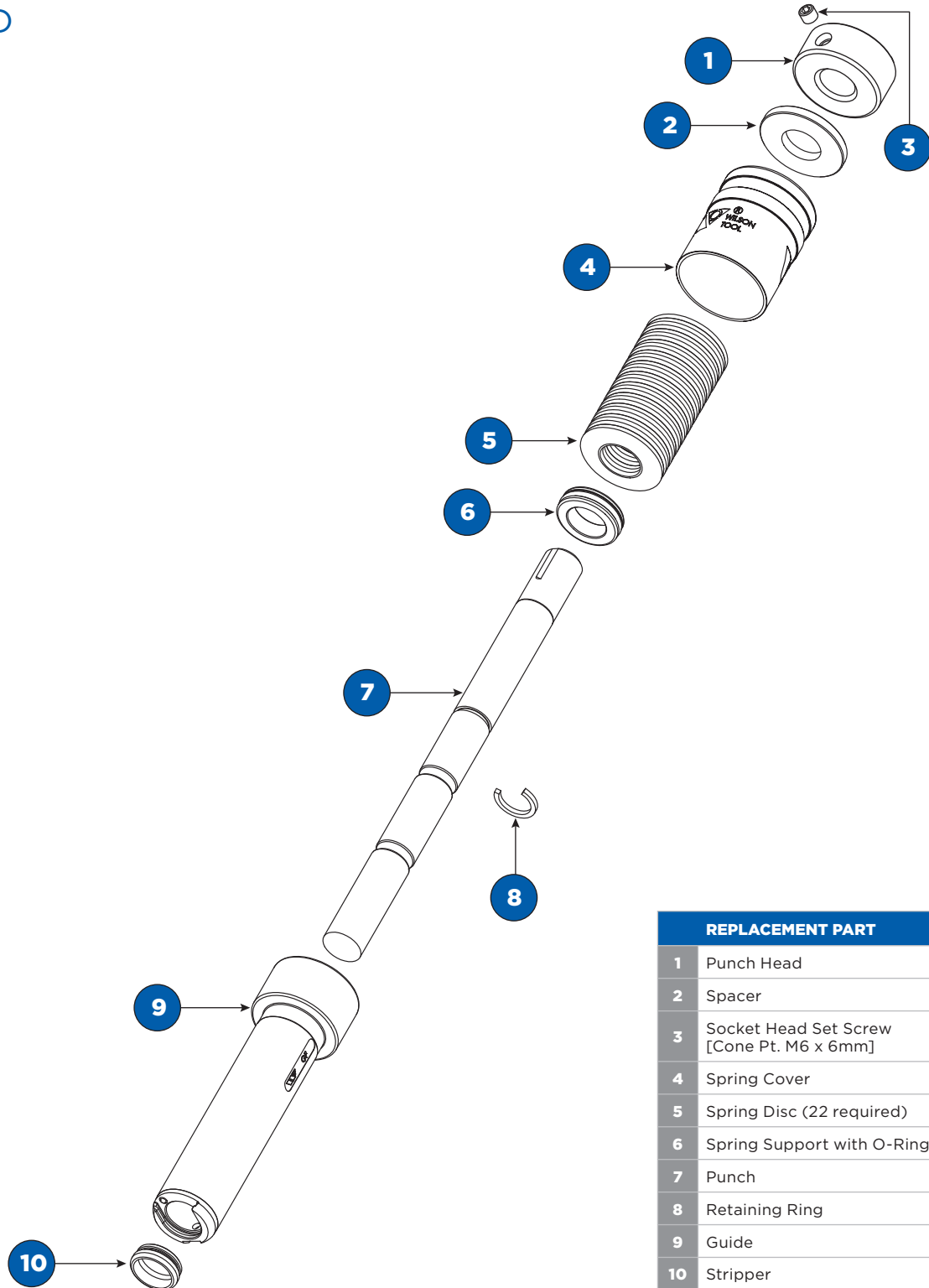


wilsontool.com/contact-us

PART # 13514

1/2" A STATION

BASIX HEAVY DUTY PUNCH & GUIDE ASSEMBLY
ROUND

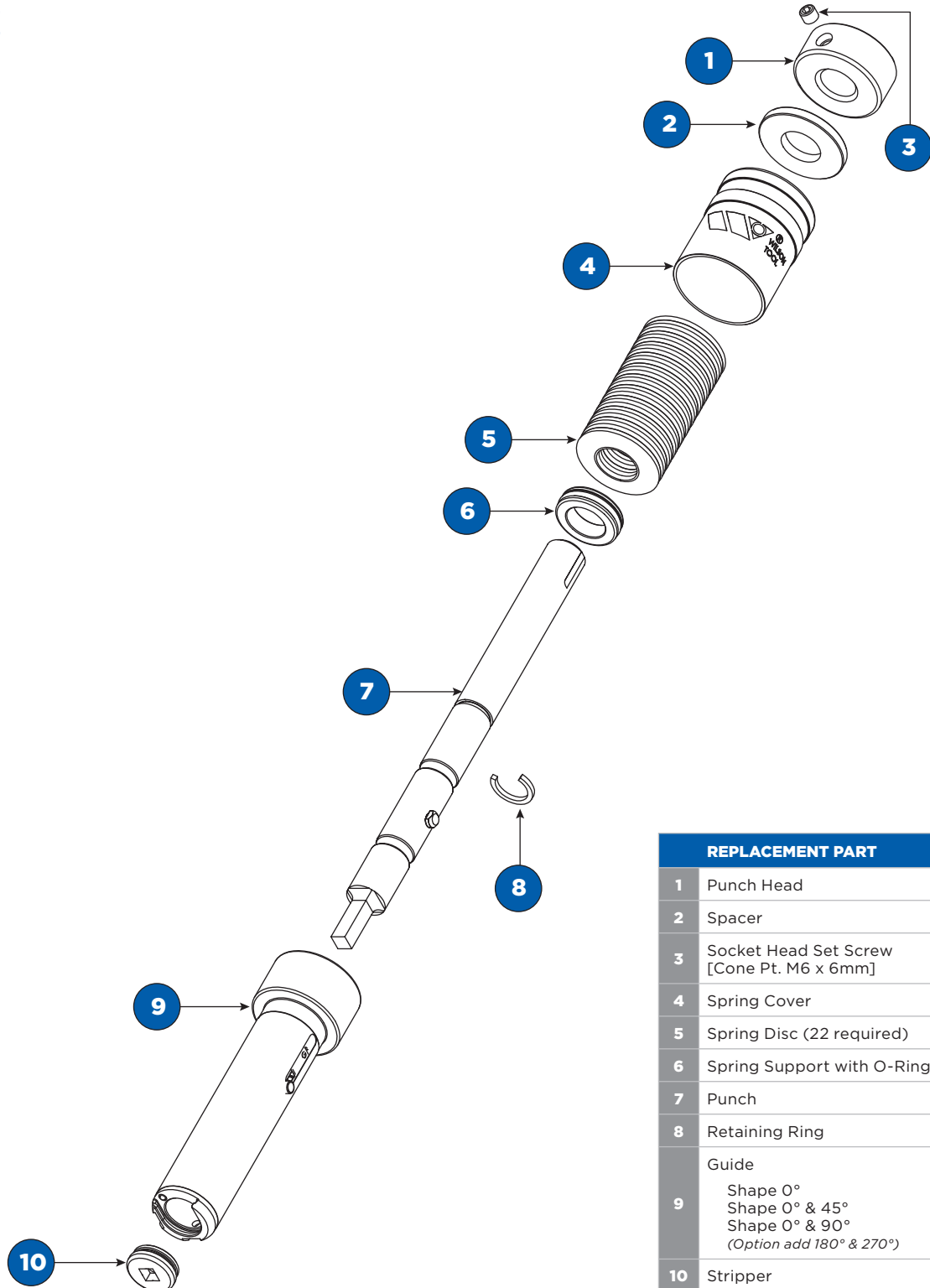


	REPLACEMENT PART	CAT. NO.
1	Punch Head	12601
2	Spacer	2296
3	Socket Head Set Screw [Cone Pt. M6 x 6mm]	6297
4	Spring Cover	2731
5	Spring Disc (22 required)	2297
6	Spring Support with O-Ring	2295
7	Punch	2303
8	Retaining Ring	1805
9	Guide	2821
10	Stripper	13044

PART # 13516

1/2" A STATION

BASIX HEAVY DUTY PUNCH & GUIDE ASSEMBLY
SHAPE

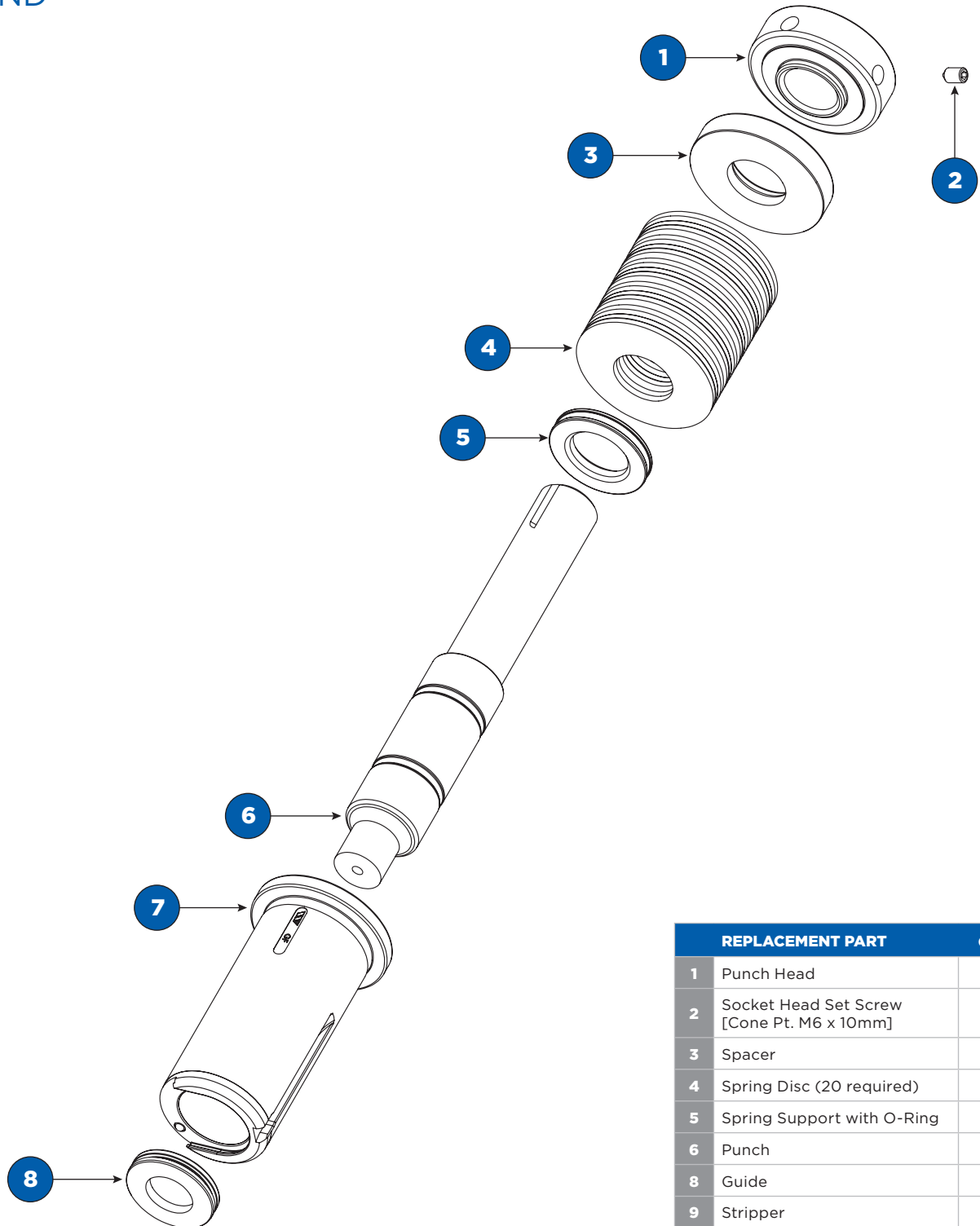


	REPLACEMENT PART	CAT. NO.
1	Punch Head	12601
2	Spacer	2296
3	Socket Head Set Screw [Cone Pt. M6 x 6mm]	6297
4	Spring Cover	2731
5	Spring Disc (22 required)	2297
6	Spring Support with O-Ring	2295
7	Punch	2304
8	Retaining Ring	1805
9	Guide Shape 0° Shape 0° & 45° Shape 0° & 90° (Option add 180° & 270°)	2822 2903 2904
10	Stripper	13143

PART # 13520

1-1/4" B STATION

BASIX HEAVY DUTY PUNCH & GUIDE ASSEMBLY
ROUND

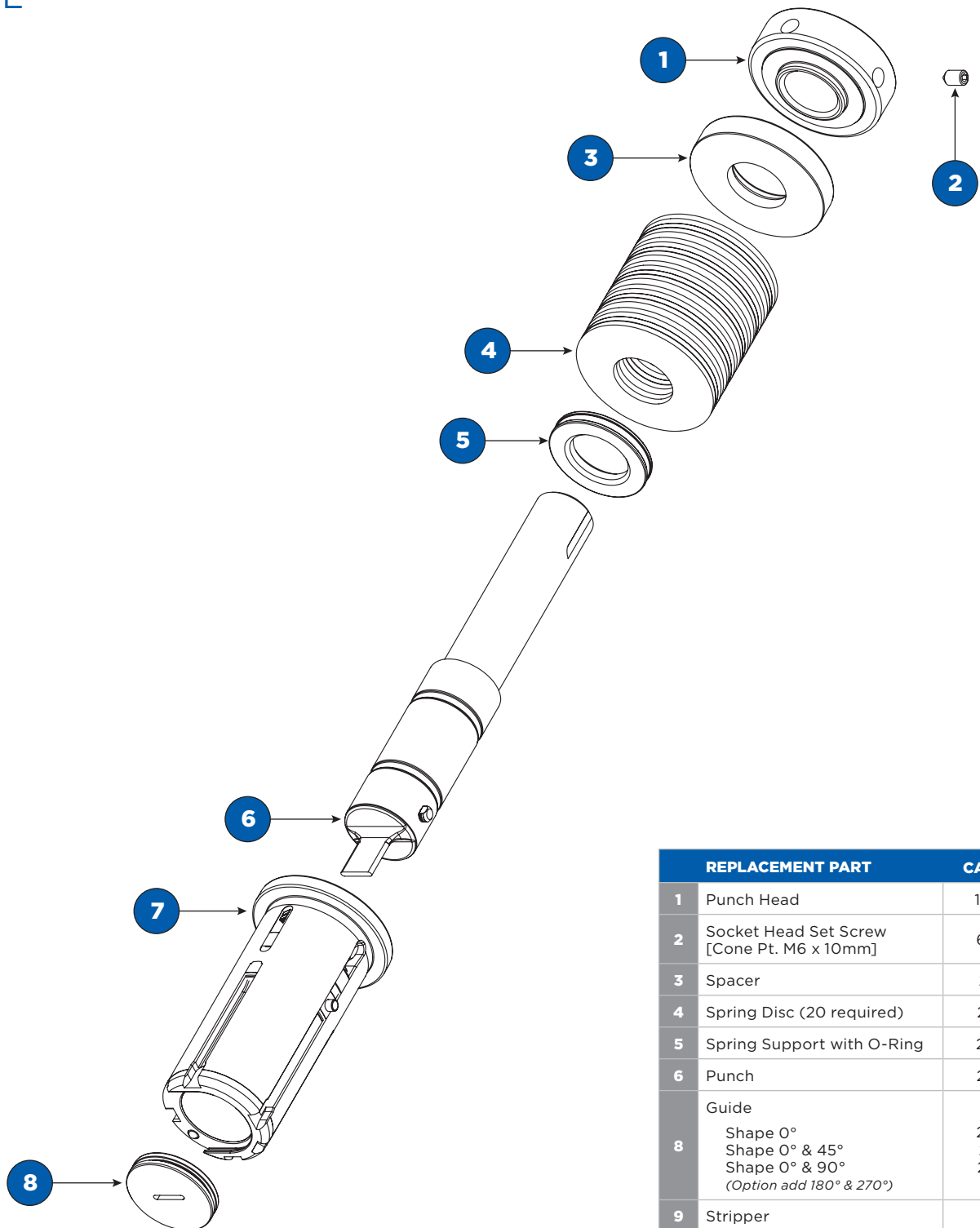


	REPLACEMENT PART	CAT. NO.
1	Punch Head	12582
2	Socket Head Set Screw [Cone Pt. M6 x 10mm]	6206
3	Spacer	2301
4	Spring Disc (20 required)	2302
5	Spring Support with O-Ring	2300
6	Punch	2305
8	Guide	2859
9	Stripper	1890

PART # 13522

1-1/4" **B** STATION

BASIX HEAVY DUTY PUNCH & GUIDE ASSEMBLY
SHAPE



REPLACEMENT PART		CAT. NO.
1	Punch Head	12582
2	Socket Head Set Screw [Cone Pt. M6 x 10mm]	6206
3	Spacer	2301
4	Spring Disc (20 required)	2302
5	Spring Support with O-Ring	2300
6	Punch	2306
7	Guide	
8	Shape 0°	2860
	Shape 0° & 45°	2861
	Shape 0° & 90°	2862
	(Option add 180° & 270°)	
9	Stripper	1917

PART # 5792

2"  STATION
HP GUIDE ASSEMBLY

BOM drawing for this assembly is not currently available.

**PLEASE CONTACT ONE OF OUR
TOOLING TECHNICIANS FOR ASSISTANCE**



punching@wilsontool.com



800.328.9646



wilsontool.com/contact-us

PART # 5789

2"  STATION
HP ABS GUIDE ASSEMBLY

BOM drawing for this assembly is not currently available.

**PLEASE CONTACT ONE OF OUR
TOOLING TECHNICIANS FOR ASSISTANCE**



punching@wilsontool.com



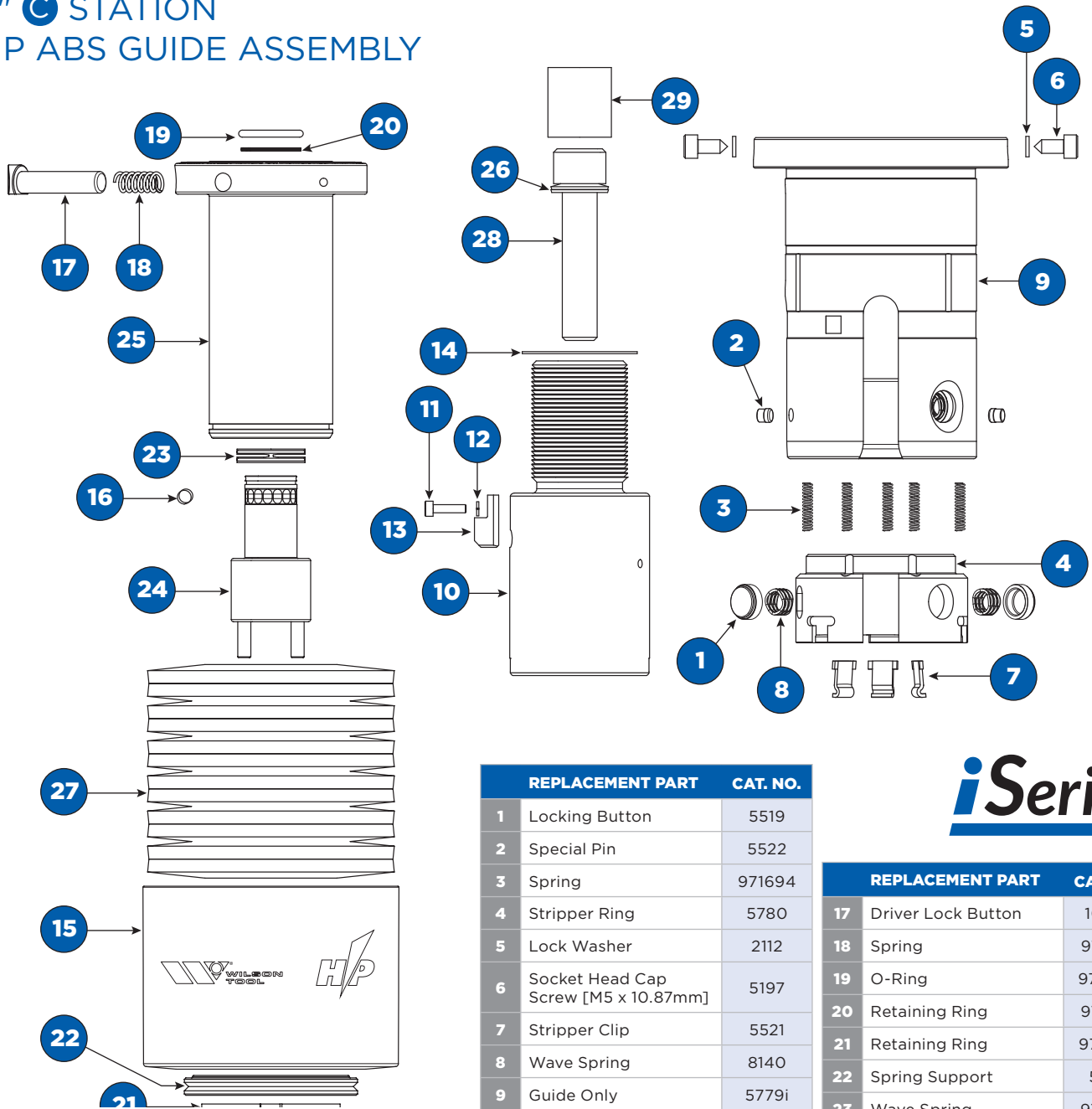
800.328.9646



wilsontool.com/contact-us

PART # 5784i

2" C STATION HP ABS GUIDE ASSEMBLY



REPLACEMENT PART	CAT. NO.
1 Locking Button	5519
2 Special Pin	5522
3 Spring	971694
4 Stripper Ring	5780
5 Lock Washer	2112
6 Socket Head Cap Screw [M5 x 10.87mm]	5197
7 Stripper Clip	5521
8 Wave Spring	8140
9 Guide Only	5779i
10 Punch Holder	5510
11 Socket Head Cap Screw [M3 x 12mm]	6326
12 Lock Washer	6327
13 Punch Holder Key	5373
14 Anti-Lock Shim	5412
15 Spring Cover	5517
16 Ball Bearing	972420

iSeries

REPLACEMENT PART	CAT. NO.
17 Driver Lock Button	10539
18 Spring	972615
19 O-Ring	972430
20 Retaining Ring	972441
21 Retaining Ring	972570
22 Spring Support	5748
23 Wave Spring	971692
24 Adjustment Shaft	5735
25 Punch Driver	5736i
26 Disc Spring	971690
27 Disc Spring (12 required)	5744
28 Socket Head Cap Screw (1/2-13 x 2.250)	6002
29 Flex Tubing	989711

PART # 5769i

2"  STATION
HP ABS PUNCH & GUIDE ASSEMBLY
ROUND

BOM drawing for this assembly is not currently available.

**PLEASE CONTACT ONE OF OUR
TOOLING TECHNICIANS FOR ASSISTANCE**



punching@wilsontool.com



800.328.9646



wilsontool.com/contact-us

PART # 5768i

2"  STATION
HP ABS PUNCH & GUIDE ASSEMBLY
SHAPE

BOM drawing for this assembly is not currently available.

**PLEASE CONTACT ONE OF OUR
TOOLING TECHNICIANS FOR ASSISTANCE**



punching@wilsontool.com



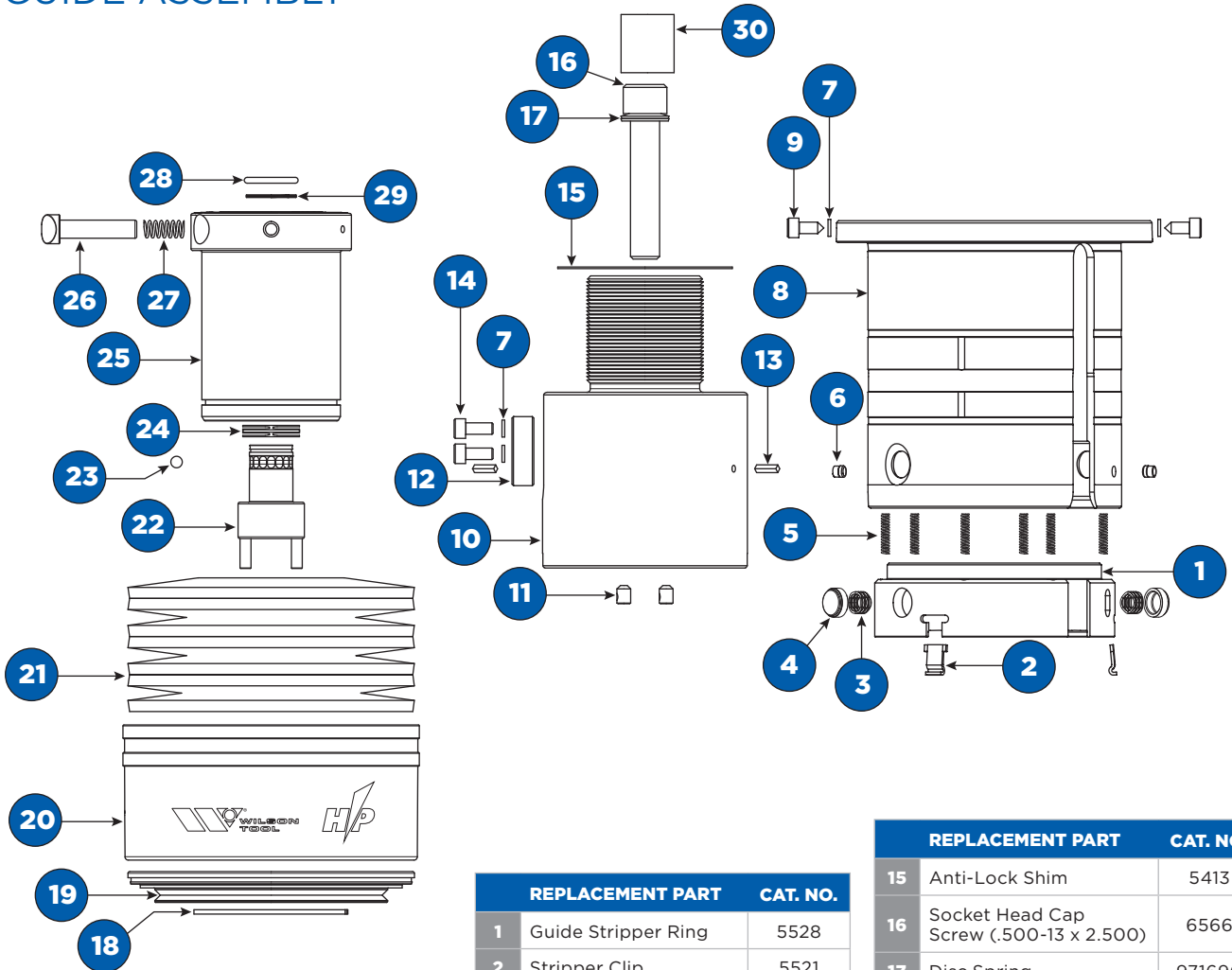
800.328.9646



wilsontool.com/contact-us

PART # 5553

3-1/2" D STATION HP GUIDE ASSEMBLY

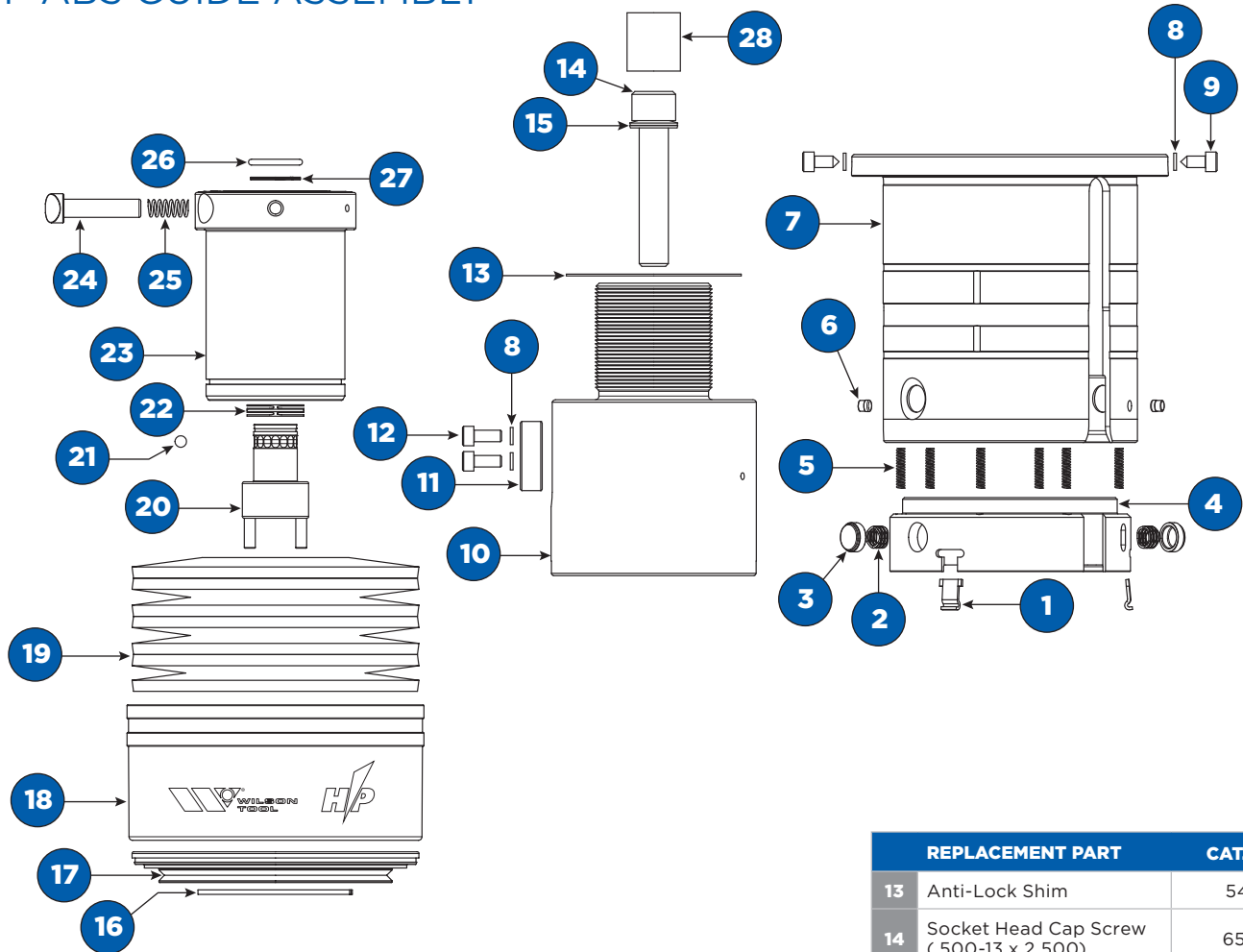


REPLACEMENT PART	CAT. NO.
1 Guide Stripper Ring	5528
2 Stripper Clip	5521
3 Wave Spring	8140
4 Locking Button	5519
5 Spring	971694
6 Special Pin	5522
7 Lock Washer	2112
8 Guide Only	5527
9 Socket Head Cap Screw [M5 x 10.87mm]	5197
10 Punch Holder	5525
11 Set Screw [M6 x 8mm]	6298
12 Punch Holder Key	1862
13 Punch Ejector	6116-1
14 Socket Head Cap Screw [M5 x 12mm]	6110

REPLACEMENT PART	CAT. NO.
15 Anti-Lock Shim	5413
16 Socket Head Cap Screw (.500-13 x 2.500)	6566
17 Disc Spring	971690
18 Retaining Ring	5747
19 Spring Support	5738
20 Spring Cover	5561
21 Disc Spring (7 required)	5449
22 Adjustment Shaft	5739
23 Ball Bearing	972420
24 Wave Spring	971692
25 Punch Driver	5740
26 Index Button	5737
27 Spring	972615
28 O-Ring	972430
29 Retaining Ring	972441
30 Flex Tubing	989711

PART # 5523

3-1/2" D STATION HP ABS GUIDE ASSEMBLY

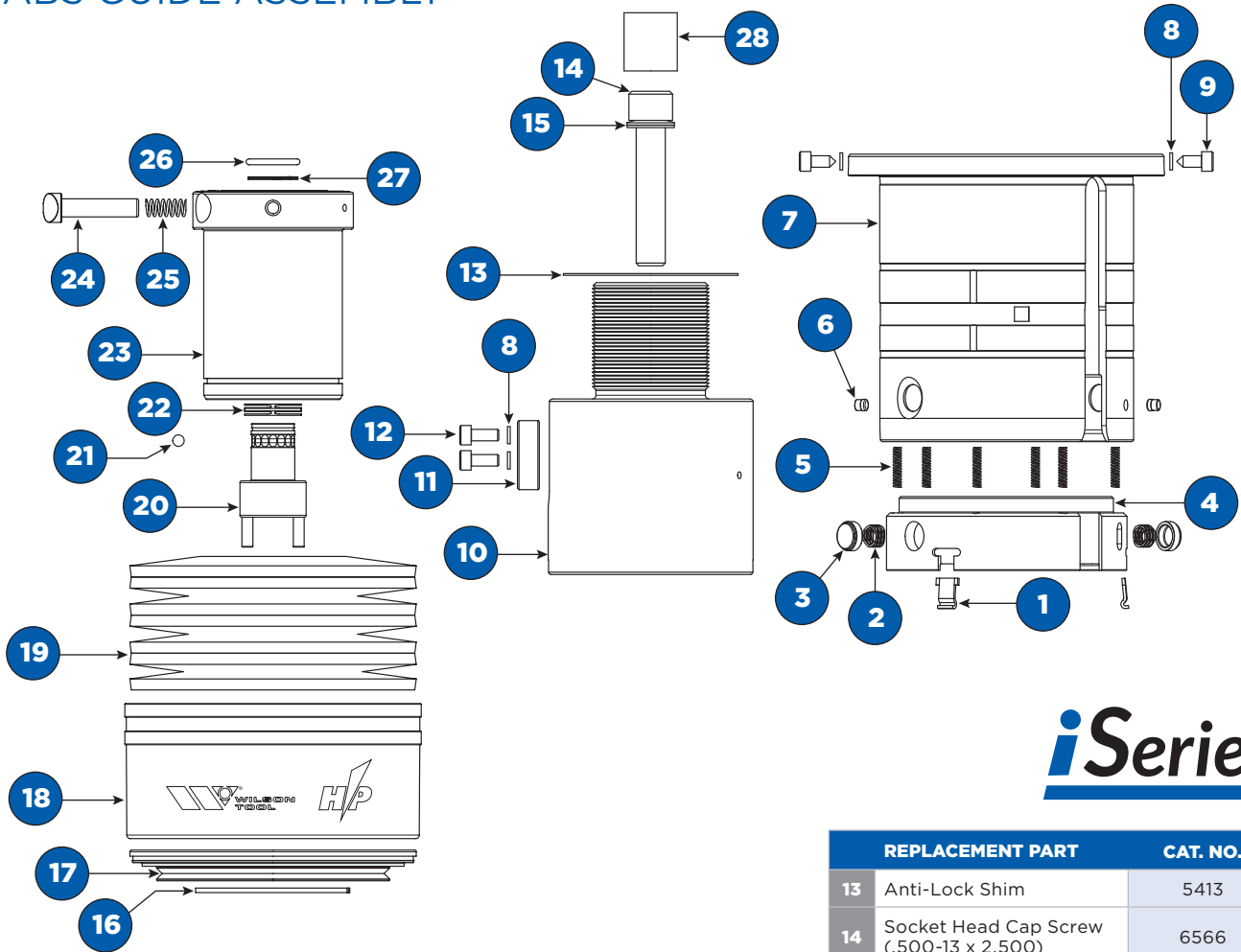


REPLACEMENT PART	CAT. NO.
1 Stripper Clip	5521
2 Wave Spring	8140
3 Locking Button	5519
4 Guide Stripper Ring	5528
5 Spring	971694
6 Special Pin	5522
7 Guide Only	5527
8 Lock Washer	2112
9 Socket Head Cap Screw [M5 x 10.87mm]	5197
10 Punch Holder	5525
11 Punch Holder Key	1862
12 Socket Head Cap Screw [M5 x 12mm]	6110

REPLACEMENT PART	CAT. NO.
13 Anti-Lock Shim	5413
14 Socket Head Cap Screw (.500-13 x 2.500)	6566
15 Disc Spring	971690
16 Retaining Ring	5747
17 Spring Support	5738
18 Spring Cover	5561
19 Disc Spring (7 required)	5449
20 Adjustment Shaft	5739
21 Ball Bearing	972420
22 Wave Spring	971692
23 Punch Driver	5740
24 Index Button	5737
25 Spring	972615
26 O-Ring	972430
27 Retaining Ring	972441
28 Flex Tubing	989711

PART # 5523i

3-1/2" D STATION HP ABS GUIDE ASSEMBLY



iSeries

REPLACEMENT PART	CAT. NO.
1 Stripper Clip	5521
2 Wave Spring	8140
3 Locking Button	5519
4 Guide Stripper Ring	5528
5 Spring	971694
6 Special Pin	5522
7 Guide Only	5527i
8 Lock Washer	2112
9 Socket Head Cap Screw [M5 x 10.87mm]	5197
10 Punch Holder	5525
11 Punch Holder Key	1862
12 Socket Head Cap Screw [M5 x 12mm]	6110

REPLACEMENT PART	CAT. NO.
13 Anti-Lock Shim	5413
14 Socket Head Cap Screw (.500-13 x 2.500)	6566
15 Disc Spring	971690
16 Retaining Ring	5747
17 Spring Support	5738
18 Spring Cover	5561
19 Disc Spring (7 required)	5449
20 Adjustment Shaft	5739
21 Ball Bearing	972420
22 Wave Spring	971692
23 Punch Driver	5740i
24 Index Button	5737
25 Spring	972615
26 O-Ring	972430
27 Retaining Ring	972441
28 Flex Tubing	989711

PART # 5771i

3-1/2"  STATION

HP ABS PUNCH & GUIDE ASSEMBLY
ROUND

BOM drawing for this assembly is not currently available.

**PLEASE CONTACT ONE OF OUR
TOOLING TECHNICIANS FOR ASSISTANCE**



punching@wilsontool.com



800.328.9646



wilsontool.com/contact-us

PART # 5770i

3-1/2"  STATION

HP ABS PUNCH & GUIDE ASSEMBLY
SHAPE

BOM drawing for this assembly is not currently available.

**PLEASE CONTACT ONE OF OUR
TOOLING TECHNICIANS FOR ASSISTANCE**



punching@wilsontool.com



800.328.9646



wilsontool.com/contact-us

PART # 5554

4-1/2" **E** STATION
HP GUIDE ASSEMBLY

BOM drawing for this assembly is not currently available.

**PLEASE CONTACT ONE OF OUR
TOOLING TECHNICIANS FOR ASSISTANCE**



punching@wilsontool.com



800.328.9646



wilsontool.com/contact-us

PART # 5533

4-1/2" **E** STATION
HP ABS GUIDE ASSEMBLY

BOM drawing for this assembly is not currently available.

**PLEASE CONTACT ONE OF OUR
TOOLING TECHNICIANS FOR ASSISTANCE**



punching@wilsontool.com



800.328.9646



wilsontool.com/contact-us

PART # 5533i

4-1/2" **E** STATION
HP ABS GUIDE ASSEMBLY

BOM drawing for this assembly is not currently available.

**PLEASE CONTACT ONE OF OUR
TOOLING TECHNICIANS FOR ASSISTANCE**



punching@wilsontool.com



800.328.9646



wilsontool.com/contact-us

PART # 5773i

4-1/2" **E** STATION

HP ABS PUNCH & GUIDE ASSEMBLY
ROUND

BOM drawing for this assembly is not currently available.

**PLEASE CONTACT ONE OF OUR
TOOLING TECHNICIANS FOR ASSISTANCE**



punching@wilsontool.com



800.328.9646



wilsontool.com/contact-us

PART # 5772i

4-1/2" **E** STATION

HP ABS PUNCH & GUIDE ASSEMBLY
SHAPE

BOM drawing for this assembly is not currently available.

**PLEASE CONTACT ONE OF OUR
TOOLING TECHNICIANS FOR ASSISTANCE**



punching@wilsontool.com



800.328.9646



wilsontool.com/contact-us

PART # 5583

2"  STATION
STANDARD GUIDE ASSEMBLY

BOM drawing for this assembly is not currently available.

**PLEASE CONTACT ONE OF OUR
TOOLING TECHNICIANS FOR ASSISTANCE**



punching@wilsontool.com



800.328.9646



wilsontool.com/contact-us

PART # 5584

3-1/2"  STATION
STANDARD GUIDE ASSEMBLY

BOM drawing for this assembly is not currently available.

**PLEASE CONTACT ONE OF OUR
TOOLING TECHNICIANS FOR ASSISTANCE**



punching@wilsontool.com



800.328.9646



wilsontool.com/contact-us

PART # 5585

4-1/2" **E** STATION
STANDARD GUIDE ASSEMBLY

BOM drawing for this assembly is not currently available.

**PLEASE CONTACT ONE OF OUR
TOOLING TECHNICIANS FOR ASSISTANCE**



punching@wilsontool.com



800.328.9646



wilsontool.com/contact-us

PART # 1842

2"  STATION
BASIX GUIDE ASSEMBLY

BOM drawing for this assembly is not currently available.

**PLEASE CONTACT ONE OF OUR
TOOLING TECHNICIANS FOR ASSISTANCE**



punching@wilsontool.com



800.328.9646



wilsontool.com/contact-us

PART # 1857

3-1/2"  STATION
BASIX GUIDE ASSEMBLY

BOM drawing for this assembly is not currently available.

**PLEASE CONTACT ONE OF OUR
TOOLING TECHNICIANS FOR ASSISTANCE**



punching@wilsontool.com



800.328.9646



wilsontool.com/contact-us

PART # 1872

4-1/2" **E** STATION
BASIX GUIDE ASSEMBLY

BOM drawing for this assembly is not currently available.

**PLEASE CONTACT ONE OF OUR
TOOLING TECHNICIANS FOR ASSISTANCE**



punching@wilsontool.com



800.328.9646



wilsontool.com/contact-us

PART # 14052

1/2"  STATION
HP2 PUNCH & GUIDE ASSEMBLY
ROUND

BOM drawing for this assembly is not currently available.

**PLEASE CONTACT ONE OF OUR
TOOLING TECHNICIANS FOR ASSISTANCE**



punching@wilsontool.com



800.328.9646



wilsontool.com/contact-us

PART # 14054

1/2" **A** STATION

HP2 ABS PUNCH & GUIDE ASSEMBLY
ROUND

BOM drawing for this assembly is not currently available.

**PLEASE CONTACT ONE OF OUR
TOOLING TECHNICIANS FOR ASSISTANCE**



punching@wilsontool.com



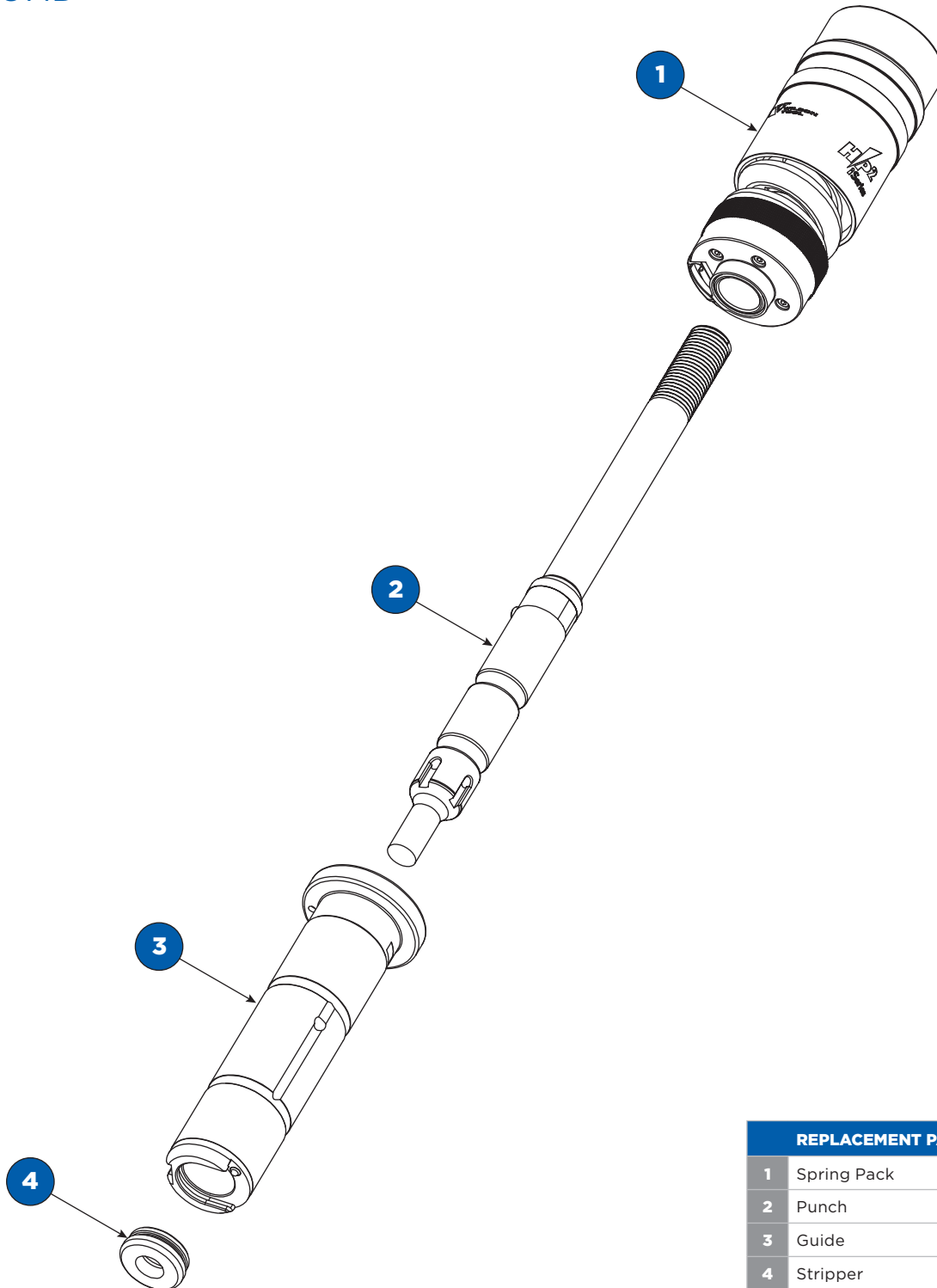
800.328.9646



wilsontool.com/contact-us

PART # 14054i

1/2" A STATION
HP2 PUNCH & GUIDE ASSEMBLY
ROUND



iSeries

	REPLACEMENT PART	CAT. NO.
1	Spring Pack	14153i
2	Punch	13869i
3	Guide	14076i
4	Stripper	13045i

PART # 14053

1/2"  STATION
HP2 PUNCH & GUIDE ASSEMBLY
SHAPE

BOM drawing for this assembly is not currently available.

**PLEASE CONTACT ONE OF OUR
TOOLING TECHNICIANS FOR ASSISTANCE**



punching@wilsontool.com



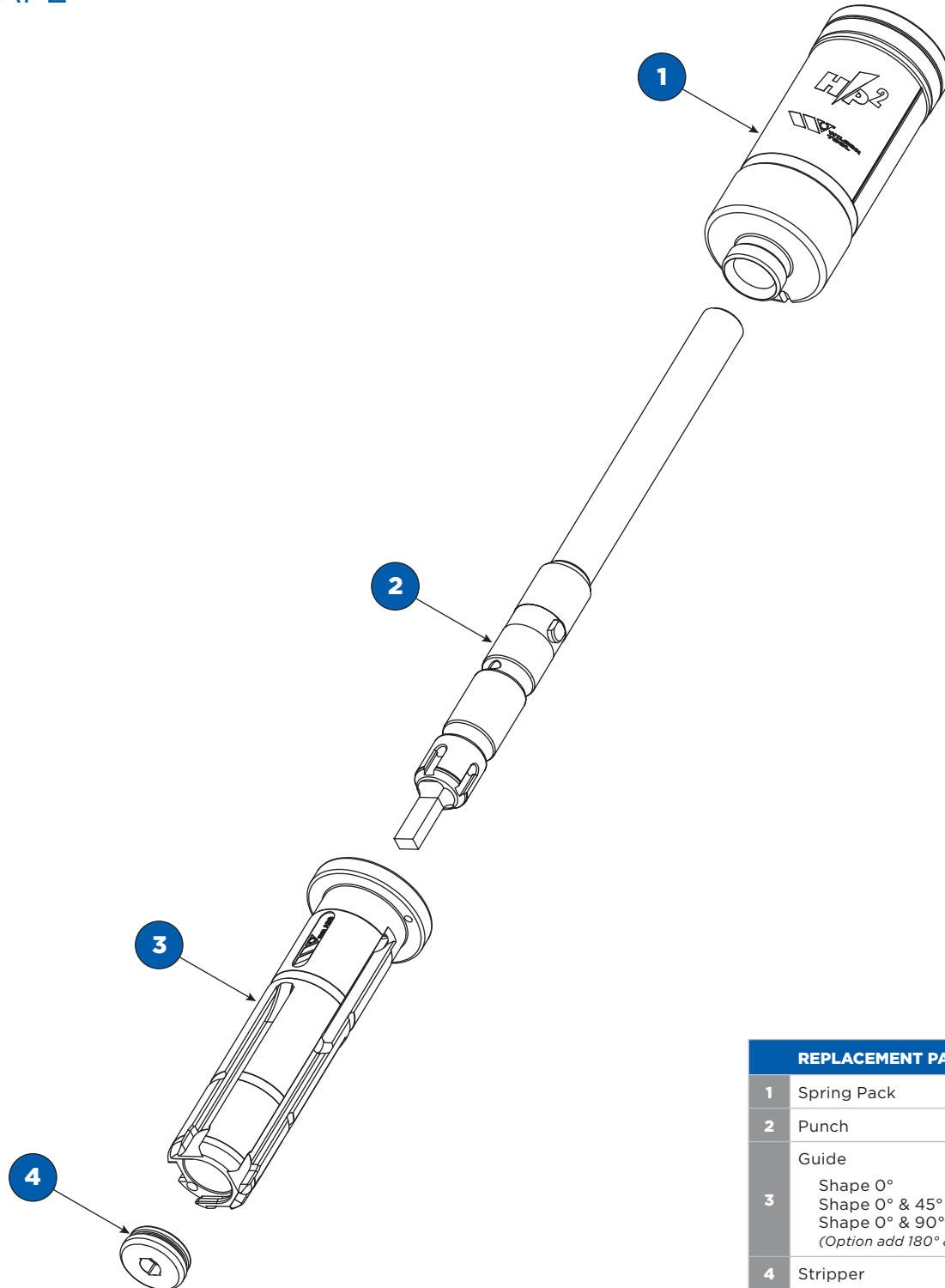
800.328.9646



wilsontool.com/contact-us

PART # 14055

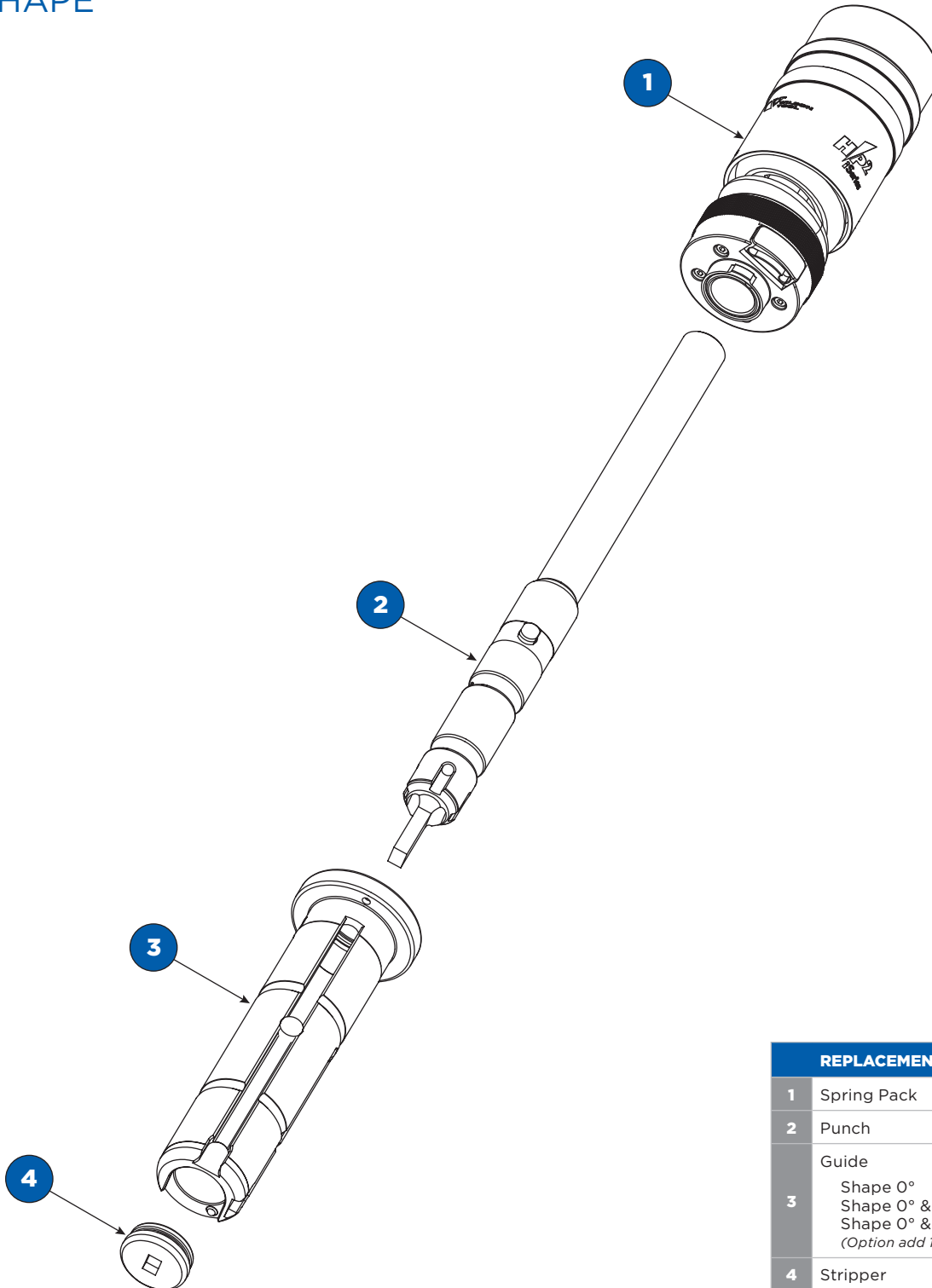
1/2" A STATION
HP2 ABS PUNCH & GUIDE ASSEMBLY
SHAPE



REPLACEMENT PART		CAT. NO.
1	Spring Pack	14153
2	Punch	13870
3	Guide	
	Shape 0°	14077
	Shape 0° & 45°	14079
	Shape 0° & 90° (Option add 180° & 270°)	14078
4	Stripper	13152

PART # 14055i

1/2" **A** STATION
HP2 PUNCH & GUIDE ASSEMBLY
SHAPE



iSeries

	REPLACEMENT PART	CAT. NO.
1	Spring Pack	14153i
2	Punch	13870i
3	Guide Shape 0° Shape 0° & 45° Shape 0° & 90° (Option add 180° & 270°)	14077i 14079i 14078i
4	Stripper	13152i

PART # 14056

1-1/4" **B** STATION
HP2 PUNCH & GUIDE ASSEMBLY
ROUND

BOM drawing for this assembly is not currently available.

**PLEASE CONTACT ONE OF OUR
TOOLING TECHNICIANS FOR ASSISTANCE**



punching@wilsontool.com



800.328.9646



wilsontool.com/contact-us

PART # 14058

1-1/4" **B** STATION

HP2 ABS PUNCH & GUIDE ASSEMBLY
ROUND

BOM drawing for this assembly is not currently available.

**PLEASE CONTACT ONE OF OUR
TOOLING TECHNICIANS FOR ASSISTANCE**



punching@wilsontool.com



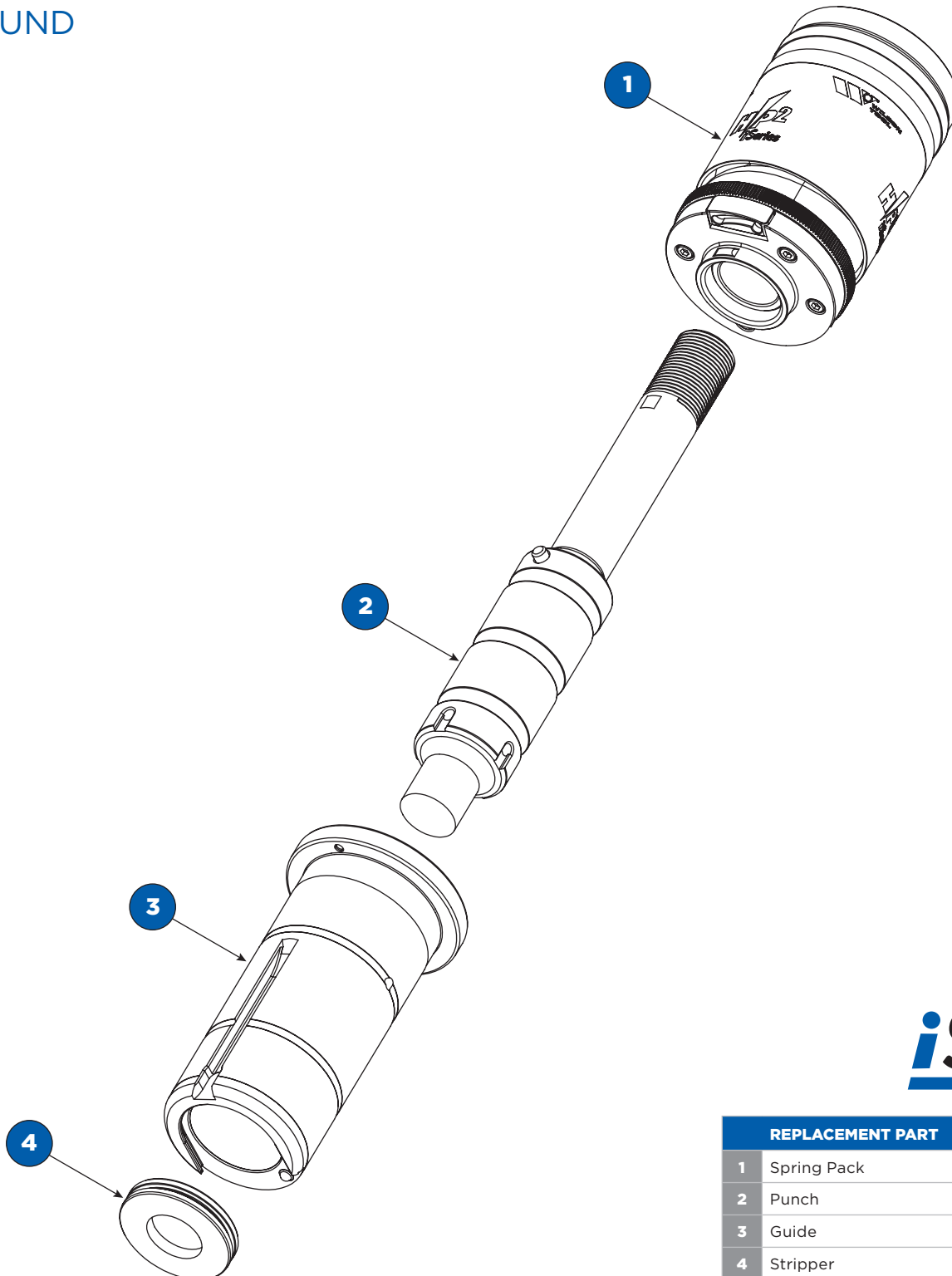
800.328.9646



wilsontool.com/contact-us

PART # 14058i

1-1/4" **B** STATION
HP2 PUNCH & GUIDE ASSEMBLY
ROUND



iSeries

	REPLACEMENT PART	CAT. NO.
1	Spring Pack	14172i
2	Punch	13871i
3	Guide	14084i
4	Stripper	2433i

PART # 14057

1-1/4" **B** STATION
HP2 PUNCH & GUIDE ASSEMBLY
SHAPE

BOM drawing for this assembly is not currently available.

**PLEASE CONTACT ONE OF OUR
TOOLING TECHNICIANS FOR ASSISTANCE**



punching@wilsontool.com



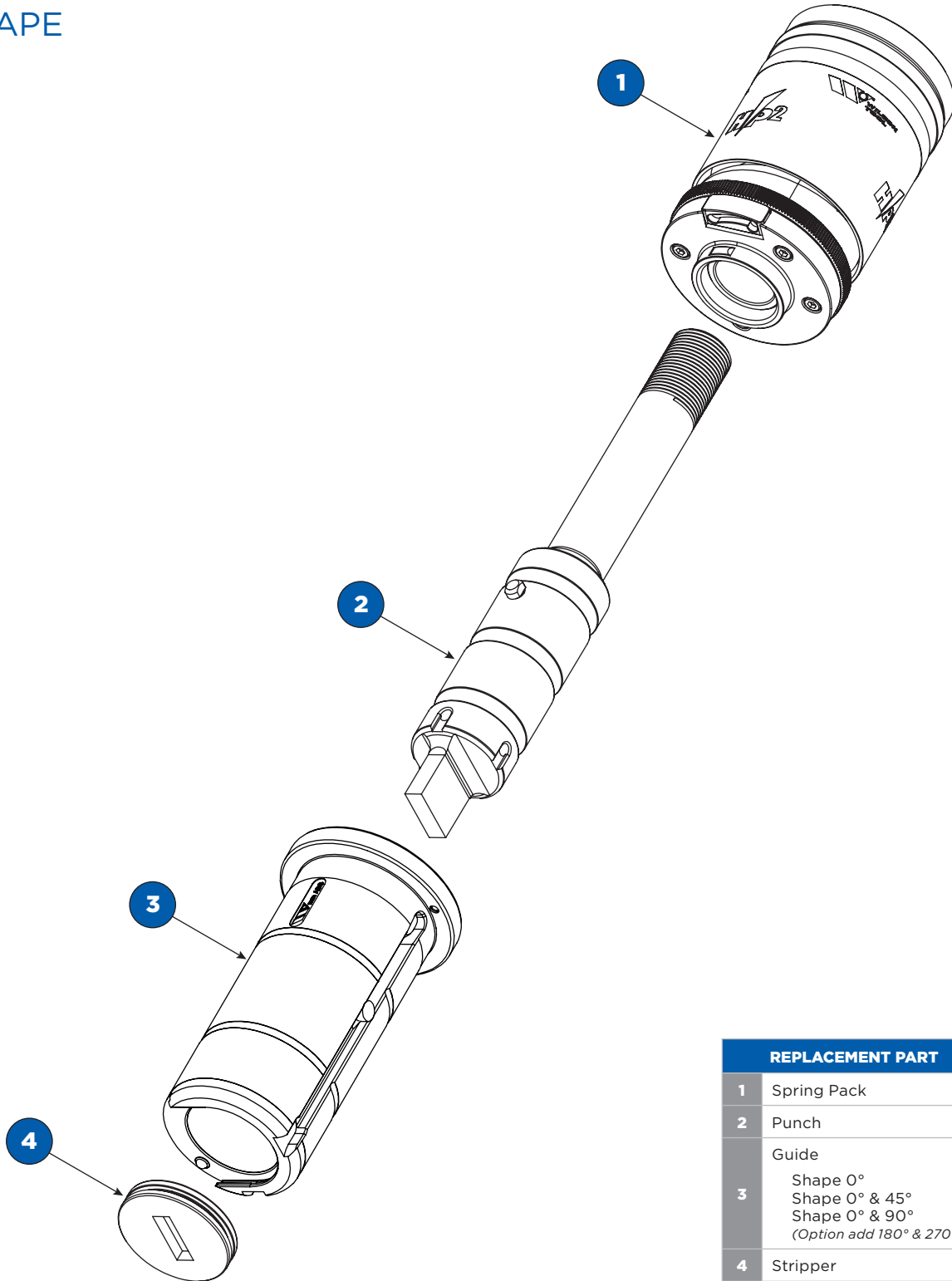
800.328.9646



wilsontool.com/contact-us

PART # 14059

1-1/4" B STATION
HP2 ABS PUNCH & GUIDE ASSEMBLY
SHAPE

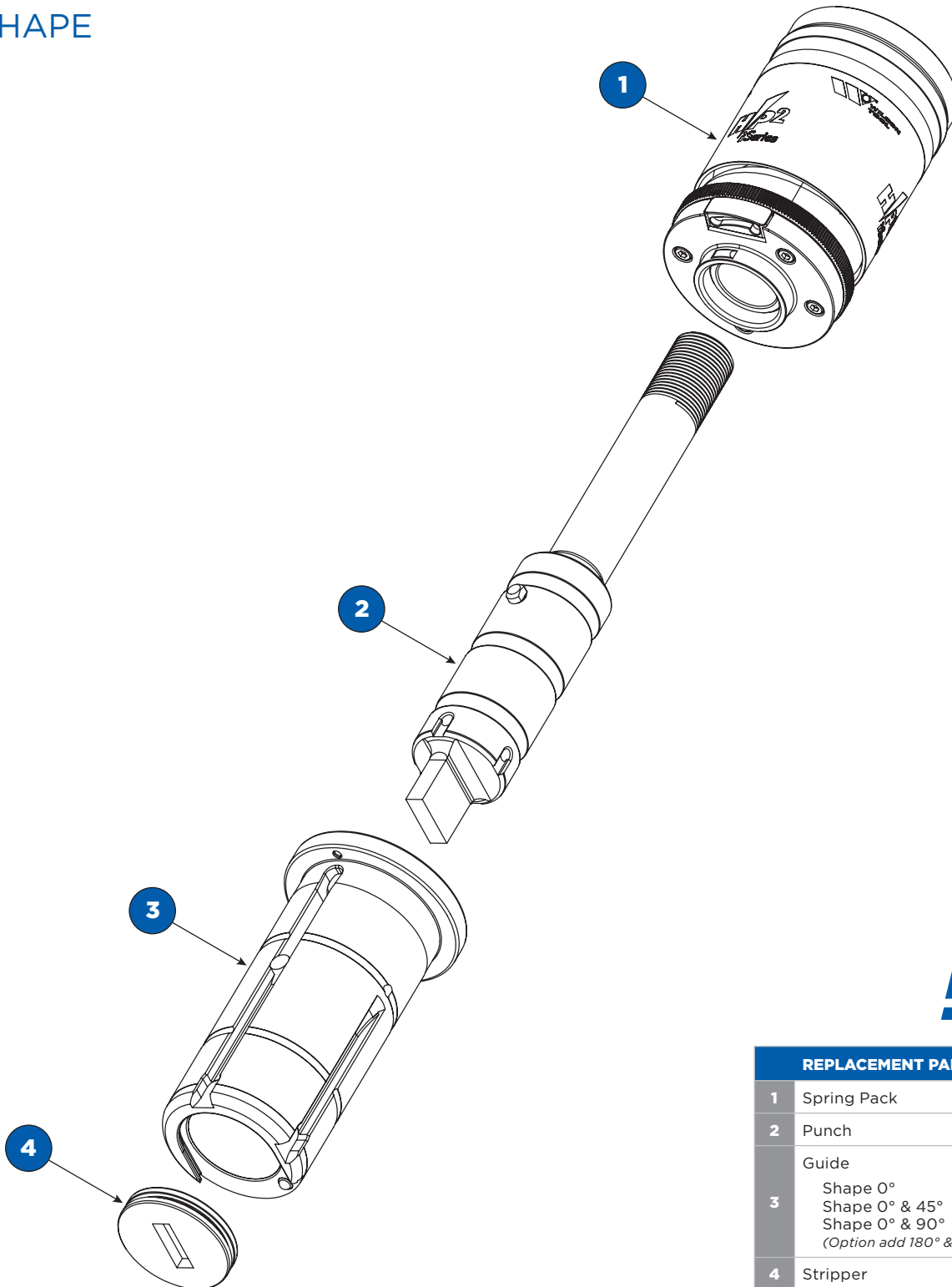


REPLACEMENT PART		CAT. NO.
1	Spring Pack	14172
2	Punch	13872
3	Guide	
	Shape 0°	14085
	Shape 0° & 45°	14087
	Shape 0° & 90° (Option add 180° & 270°)	14086
4	Stripper	2432

PART # 14059i

1-1/4" **B** STATION

HP2 PUNCH & GUIDE ASSEMBLY
SHAPE



iSeries

	REPLACEMENT PART	CAT. NO.
1	Spring Pack	14172i
2	Punch	13872i
3	Guide Shape 0° Shape 0° & 45° Shape 0° & 90° (Option add 180° & 270°)	14085i 14087i 14086i
4	Stripper	2432i

PART # 13057

1/2"  STATION
BASIX PUNCH & GUIDE ASSEMBLY
ROUND

BOM drawing for this assembly is not currently available.

**PLEASE CONTACT ONE OF OUR
TOOLING TECHNICIANS FOR ASSISTANCE**



punching@wilsontool.com



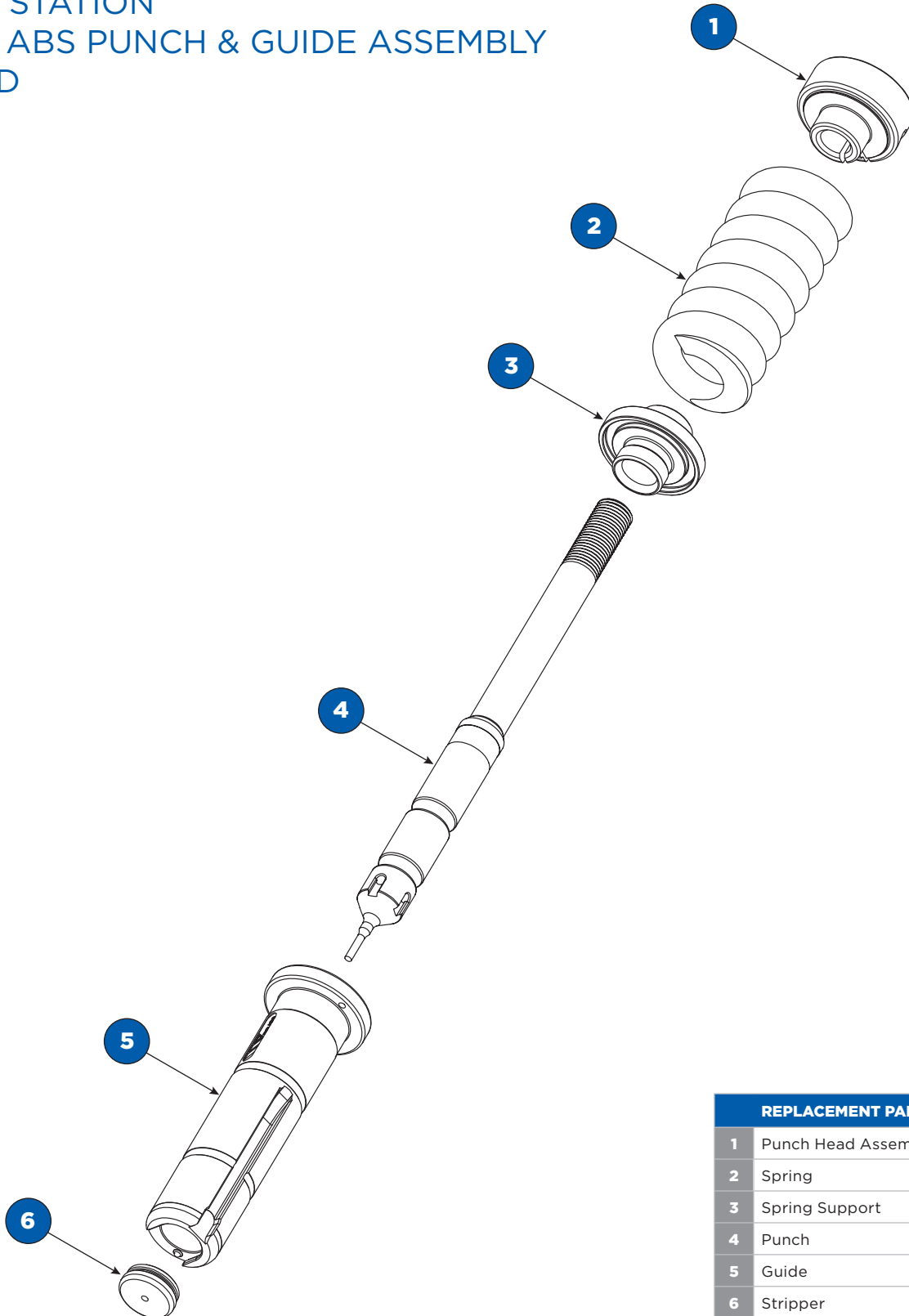
800.328.9646



wilsontool.com/contact-us

PART # 13856

1/2" **A** STATION
BASIX ABS PUNCH & GUIDE ASSEMBLY
ROUND



	REPLACEMENT PART	CAT. NO.
1	Punch Head Assembly	14193
2	Spring	13079
3	Spring Support	13078
4	Punch	13827
5	Guide	13073
6	Stripper	13045

PART # 13059

1/2" **A** STATION
BASIX PUNCH & GUIDE ASSEMBLY
SHAPE

BOM drawing for this assembly is not currently available.

**PLEASE CONTACT ONE OF OUR
TOOLING TECHNICIANS FOR ASSISTANCE**



punching@wilsontool.com



800.328.9646

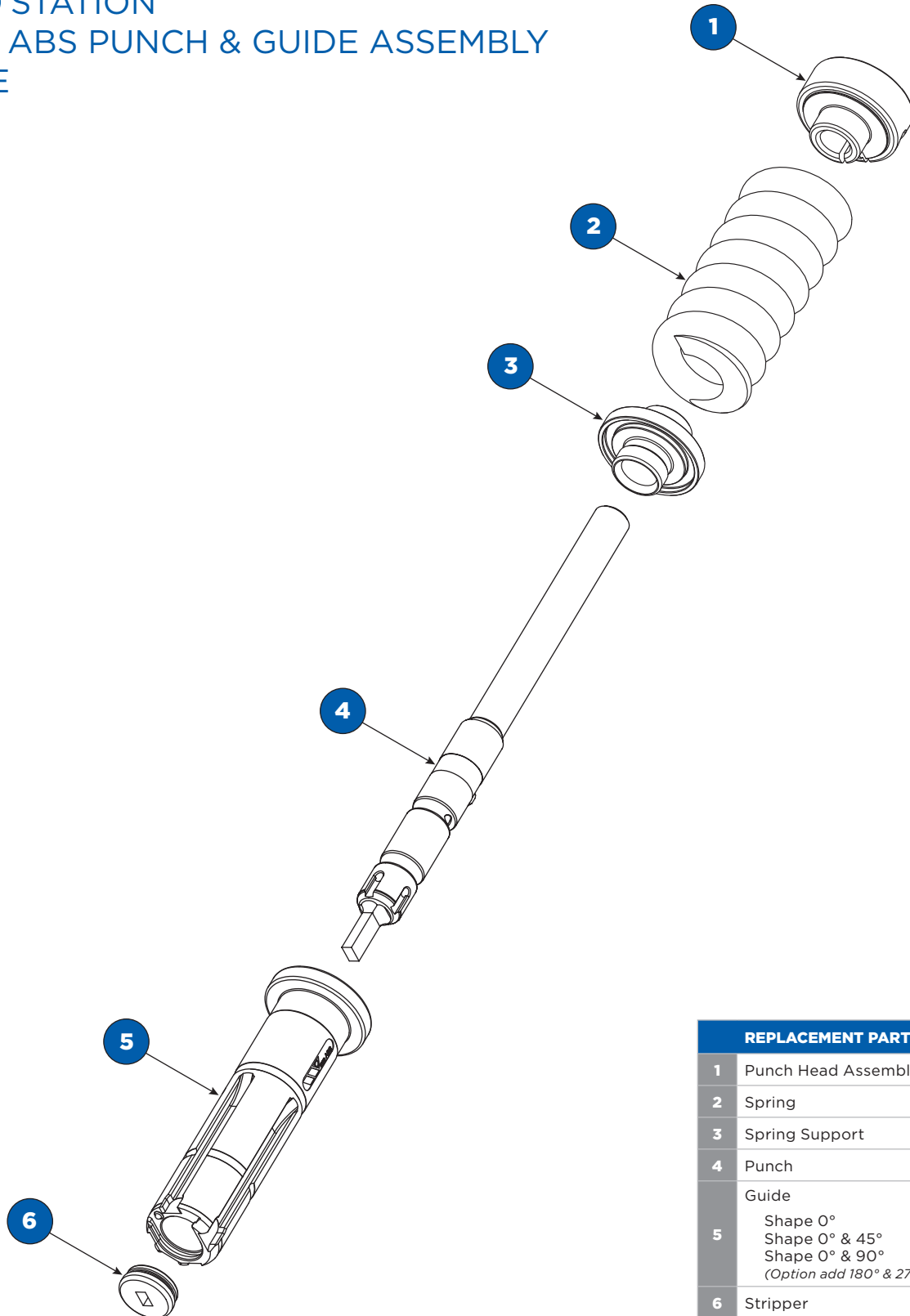


wilsontool.com/contact-us

PART # 13858

1/2" A STATION

BASIX ABS PUNCH & GUIDE ASSEMBLY
SHAPE



	REPLACEMENT PART	CAT. NO.
1	Punch Head Assembly	14193
2	Spring	13079
3	Spring Support	13078
4	Punch	13870
5	Guide	
	Shape 0°	13074
	Shape 0° & 45°	13075
	Shape 0° & 90°	13076
	(Option add 180° & 270°)	
6	Stripper	13152

PART # 13090

1-1/4" **B** STATION
BASIX PUNCH & GUIDE ASSEMBLY
ROUND

BOM drawing for this assembly is not currently available.

**PLEASE CONTACT ONE OF OUR
TOOLING TECHNICIANS FOR ASSISTANCE**



punching@wilsontool.com



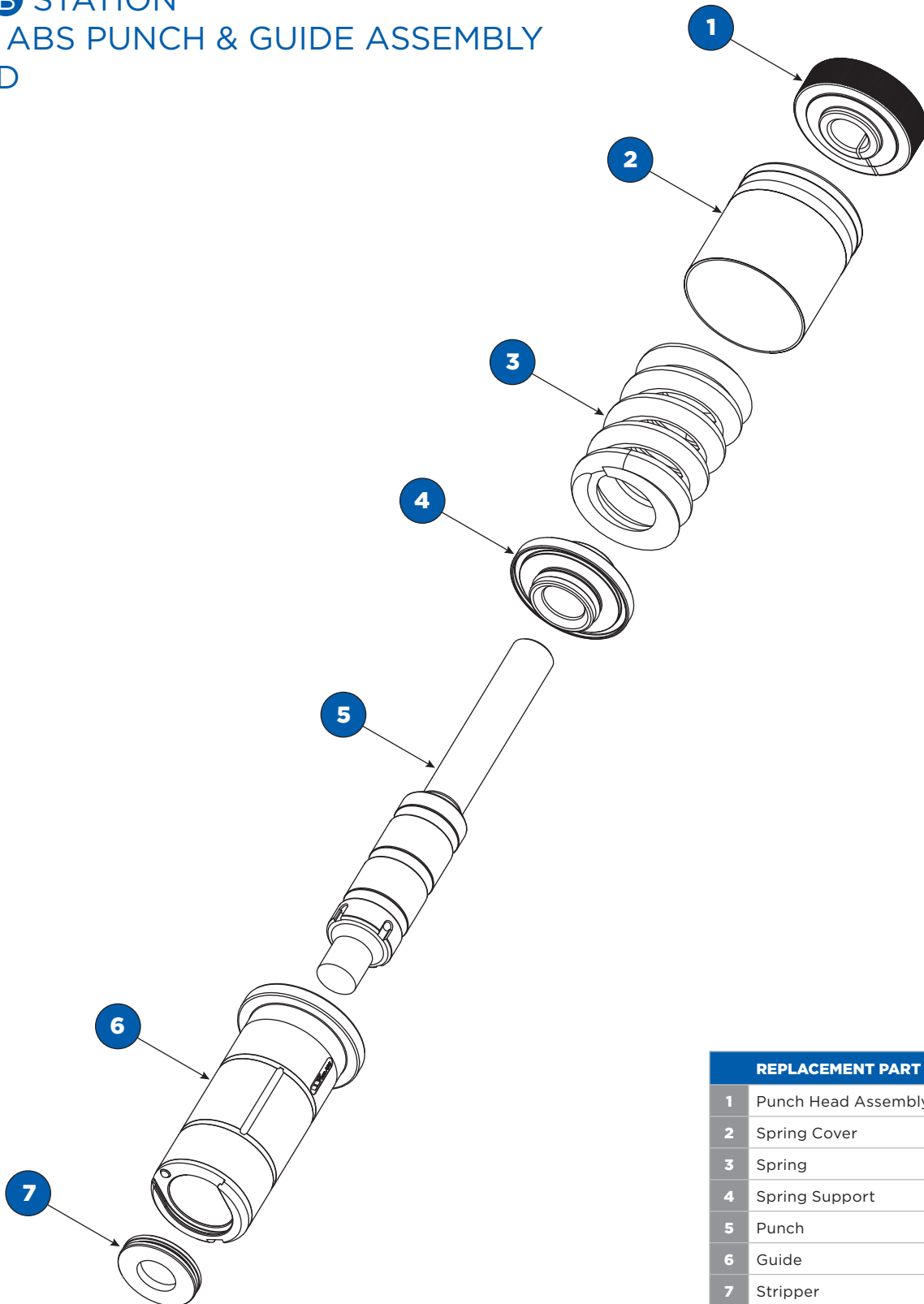
800.328.9646



wilsontool.com/contact-us

PART # 13860

1-1/4" **B** STATION
BASIX ABS PUNCH & GUIDE ASSEMBLY
ROUND



	REPLACEMENT PART	CAT. NO.
1	Punch Head Assembly	14195
2	Spring Cover	2732
3	Spring	35122
4	Spring Support	13411
5	Punch	13828
6	Guide	13097
7	Stripper	2433

PART # 13092

1-1/4" **B** STATION

BASIX PUNCH & GUIDE ASSEMBLY
SHAPE

BOM drawing for this assembly is not currently available.

**PLEASE CONTACT ONE OF OUR
TOOLING TECHNICIANS FOR ASSISTANCE**



punching@wilsontool.com



800.328.9646

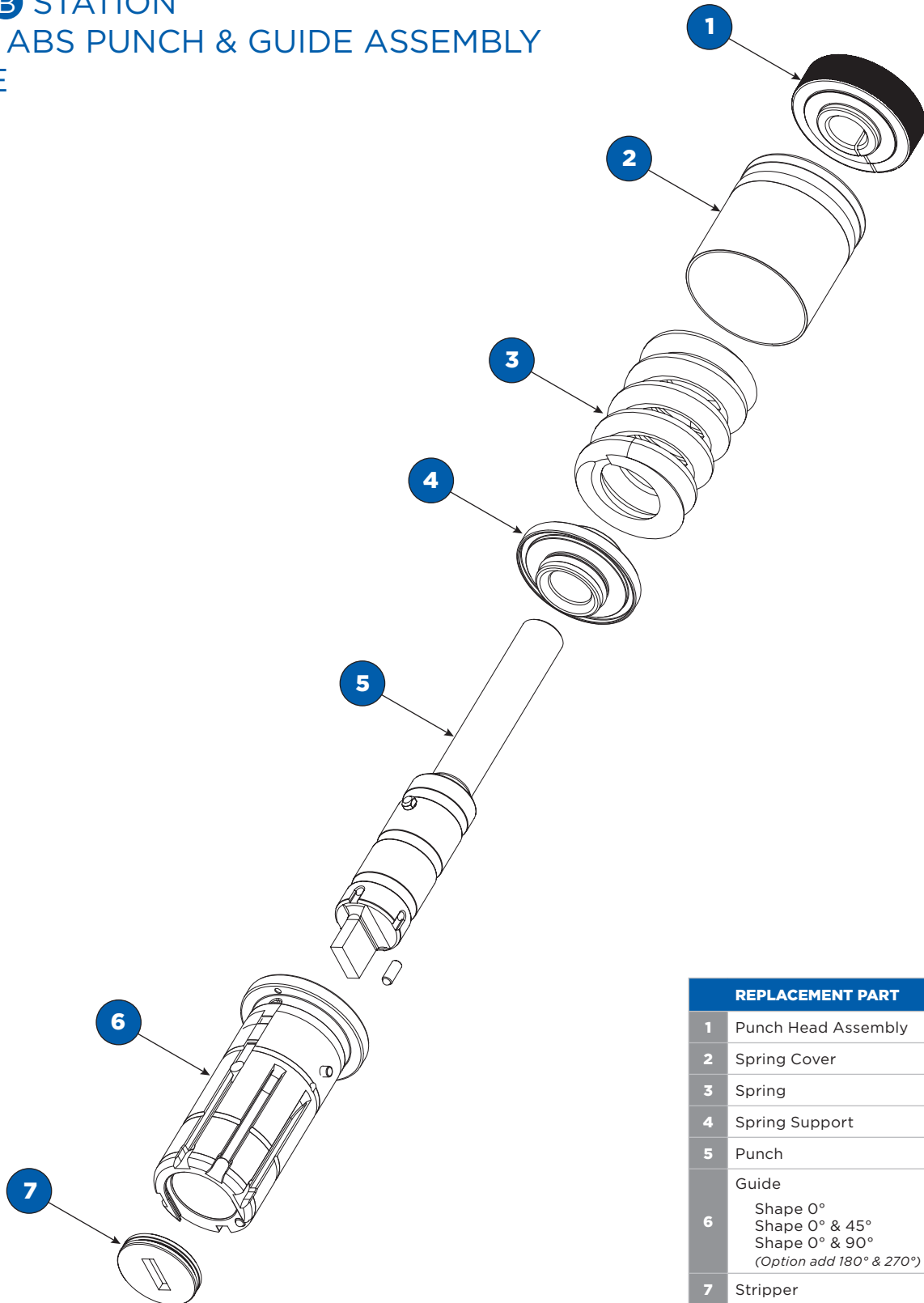


wilsontool.com/contact-us

PART # 13862

1-1/4" **B** STATION

BASIX ABS PUNCH & GUIDE ASSEMBLY
SHAPE



REPLACEMENT PART		CAT. NO.
1	Punch Head Assembly	14195
2	Spring Cover	2732
3	Spring	35122
4	Spring Support	13411
5	Punch	13872
6	Guide	
	Shape 0°	13098
	Shape 0° & 45°	13099
	Shape 0° & 90°	13100
	(Option add 180° & 270°)	
7	Stripper	2432

PART # 5800

2"  STATION
HP GUIDE ASSEMBLY

BOM drawing for this assembly is not currently available.

**PLEASE CONTACT ONE OF OUR
TOOLING TECHNICIANS FOR ASSISTANCE**



punching@wilsontool.com



800.328.9646



wilsontool.com/contact-us

PART # 5797

2"  STATION
HP ABS GUIDE ASSEMBLY

BOM drawing for this assembly is not currently available.

**PLEASE CONTACT ONE OF OUR
TOOLING TECHNICIANS FOR ASSISTANCE**



punching@wilsontool.com

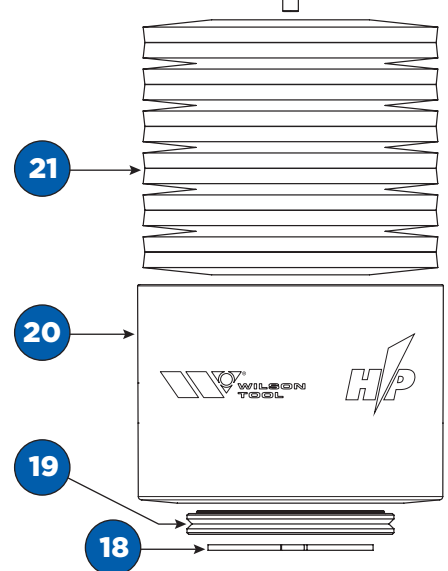
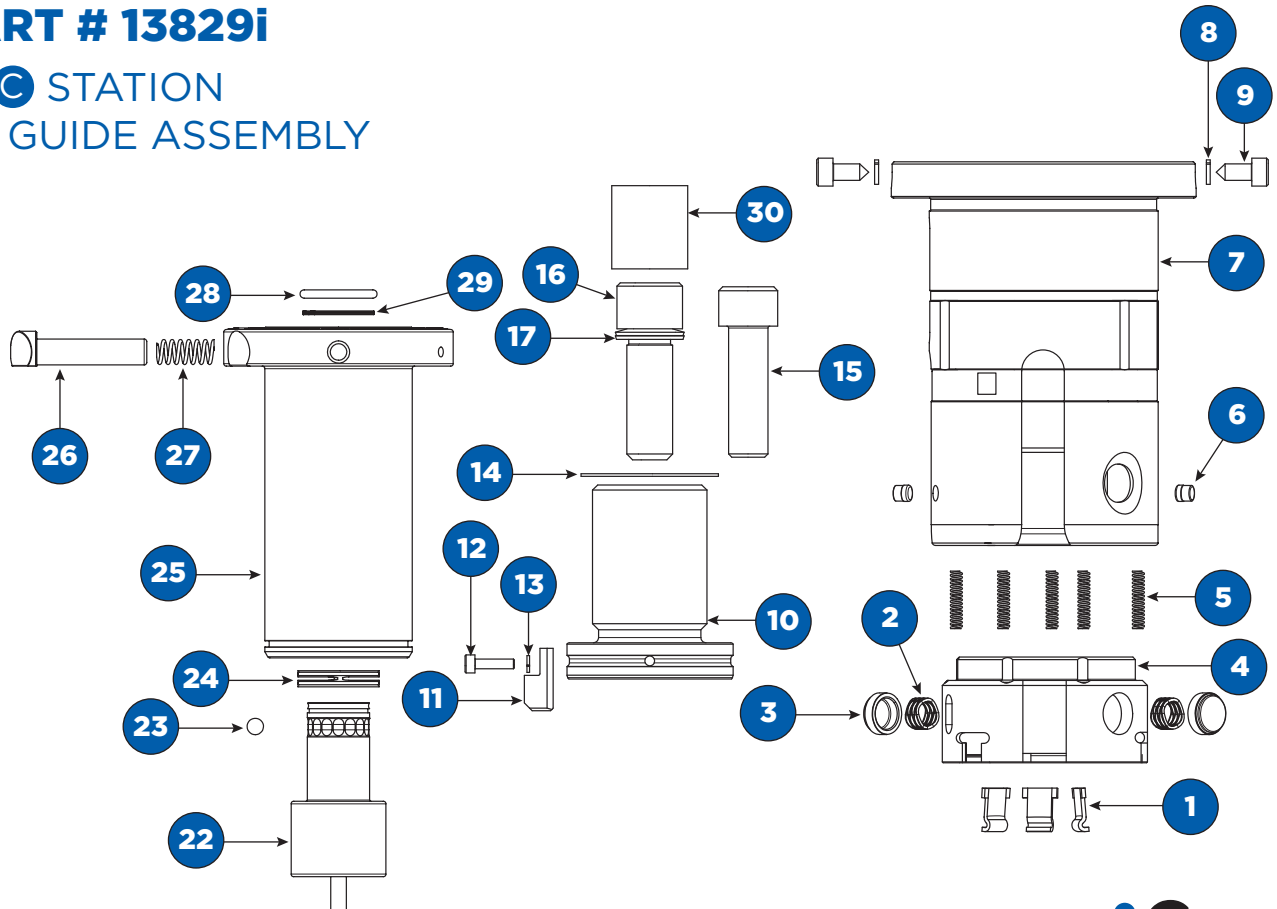


800.328.9646



wilsontool.com/contact-us

PART # 13829i
2" C STATION
HP GUIDE ASSEMBLY



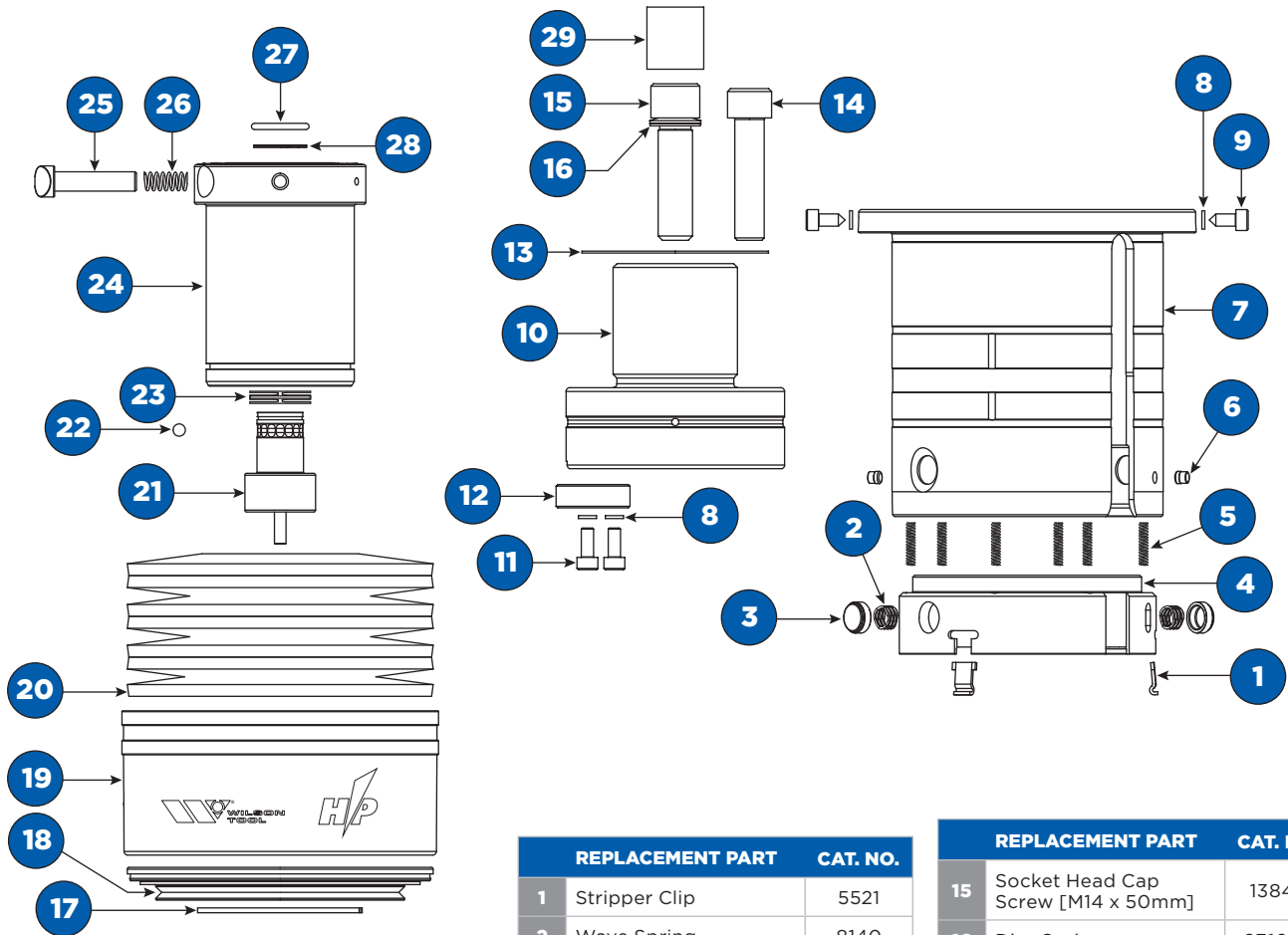
iSeries

REPLACEMENT PART	CAT. NO.
1 Stripper Clip	5521
2 Wave Spring	8140
3 Locking Button	5519
4 Guide Stripper Ring	5780
5 Spring	971694
6 Special Pin	5522
7 Guide Only	5779i
8 Lock Washer	2112
9 Socket Head Cap Screw [M5 x 10.87mm]	5197
10 Punch Holder	5556
11 Punch Holder Key	5373
12 Socket Head Cap Screw [M3 x 12mm]	6326
13 Lock Washer	6327
14 Anti-Lock Shim	5412
15 Socket Head Cap Screw [M-12 x 40mm] [M-14 x 40mm] (1/2-13 x 1.500")	6605 13843 6606

REPLACEMENT PART	CAT. NO.
16 Socket Head Cap Screw [M14 x 40mm]	13843
17 Disc Spring	971690
18 Retaining Ring	972570
19 Spring Support	5748
20 Spring Cover	5517
21 Disc Spring (12 required)	5744
22 Adjustment Shaft	5735
23 Ball Bearing	972420
24 Wave Spring	971692
25 Punch Driver	5736i
26 Driver Lock Button	10539
27 Spring	972615
28 O-Ring	972430
29 Retaining Ring	972441
30 Flex Tubing	989711

PART # 13830

3-1/2" D STATION HP ABS GUIDE ASSEMBLY

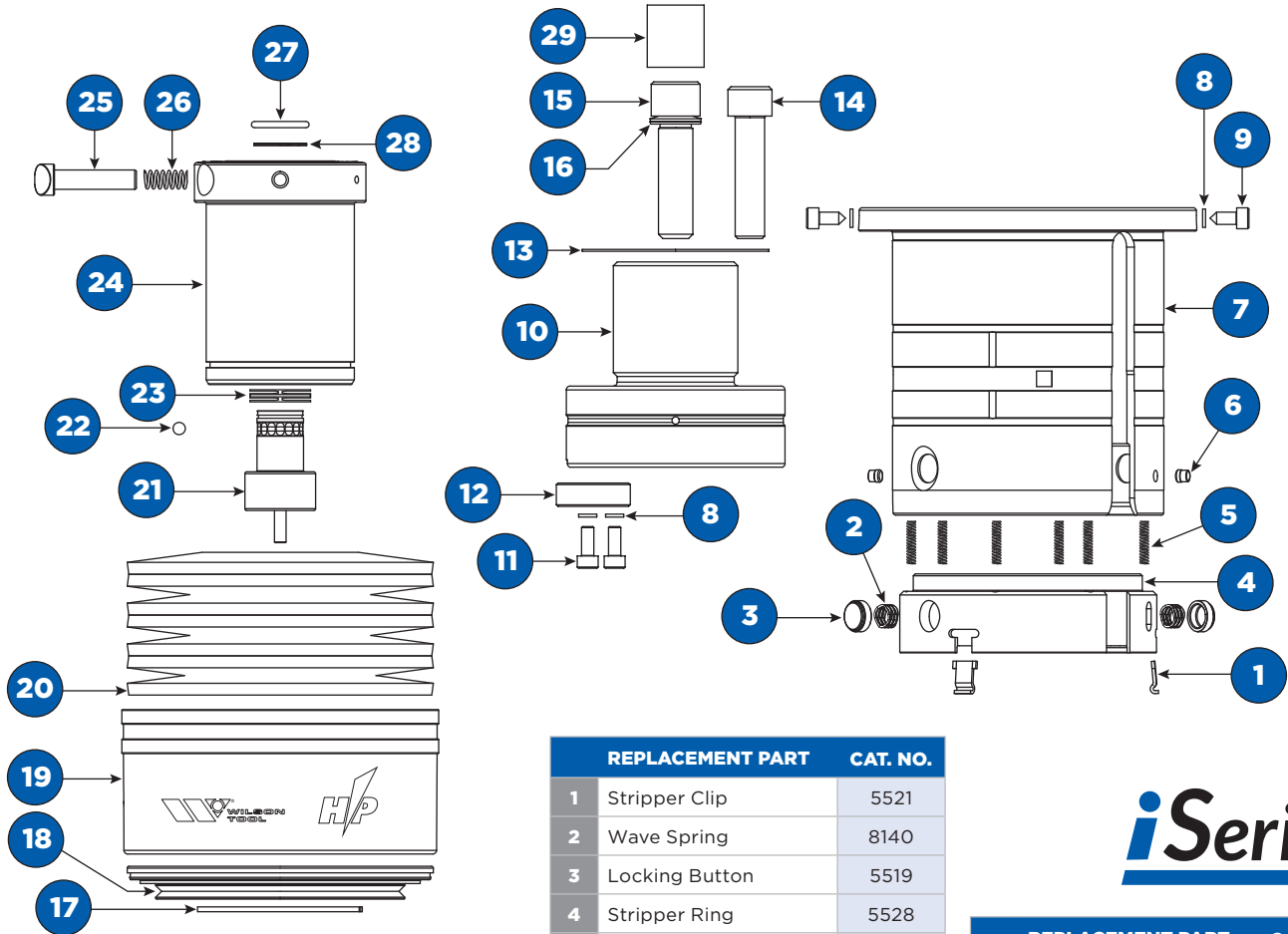


REPLACEMENT PART	CAT. NO.
1 Stripper Clip	5521
2 Wave Spring	8140
3 Locking Button	5519
4 Stripper Ring	5528
5 Spring	971694
6 Special Pin	5522
7 Guide	5527
8 Lock Washer	2112
9 Socket Head Cap Screw [M5 x 10.87mm]	5197
10 Punch Holder	5558
11 Socket Head Cap Screw [M5 x 12mm]	6110
12 Punch Holder Key	1862
13 Anti-Lock Shim	5413
14 Socket Head Cap Screw [M12 x 50mm]	970467

REPLACEMENT PART	CAT. NO.
15 Socket Head Cap Screw [M14 x 50mm]	13844
16 Disc Spring	971690
17 Retaining Ring	5747
18 Spring Support	5738
19 Spring Cover	5561
20 Disc Spring (7 required)	5449
21 Adjustment Shaft	5739
22 Ball Bearing	972420
23 Wave Spring	971692
24 Driver	5740
25 Index Button	5737
26 Spring	972615
27 O-Ring	972430
28 Retaining Ring	972441
29 Flex Tubing	989711

PART # 13830i

3-1/2" D STATION HP GUIDE ASSEMBLY



REPLACEMENT PART	CAT. NO.
1 Stripper Clip	5521
2 Wave Spring	8140
3 Locking Button	5519
4 Stripper Ring	5528
5 Spring	971694
6 Special Pin	5522
7 Guide	5527i
8 Lock Washer	2112
9 Socket Head Cap Screw [M5 x 10.87mm]	5197
10 Punch Holder	5558
11 Socket Head Cap Screw [M5 x 12mm]	6110
12 Punch Holder Key	1862
13 Anti-Lock Shim	5413
14 Socket Head Cap Screw [M12 x 50mm]	970467
15 Socket Head Cap Screw [M14 x 50mm]	13844
16 Disc Spring	971690

iSeries

REPLACEMENT PART	CAT. NO.
17 Retaining Ring	5747
18 Spring Support	5738
19 Spring Cover	5561
20 Disc Spring (7 required)	5449
21 Adjustment Shaft	5739
22 Ball Bearing	972420
23 Wave Spring	971692
24 Driver	5740i
25 Index Button	5737
26 Spring	972615
27 O-Ring	972430
28 Retaining Ring	972441
29 Flex Tubing	989711

PART # 5579

4-1/2" **E** STATION
HP GUIDE ASSEMBLY

BOM drawing for this assembly is not currently available.

**PLEASE CONTACT ONE OF OUR
TOOLING TECHNICIANS FOR ASSISTANCE**



punching@wilsontool.com



800.328.9646



wilsontool.com/contact-us

PART # 13831

4-1/2" **E** STATION
HP ABS GUIDE ASSEMBLY

BOM drawing for this assembly is not currently available.

**PLEASE CONTACT ONE OF OUR
TOOLING TECHNICIANS FOR ASSISTANCE**



punching@wilsontool.com



800.328.9646



wilsontool.com/contact-us

PART # 13831i

4-1/2" **E** STATION
HP GUIDE ASSEMBLY

BOM drawing for this assembly is not currently available.

**PLEASE CONTACT ONE OF OUR
TOOLING TECHNICIANS FOR ASSISTANCE**



punching@wilsontool.com



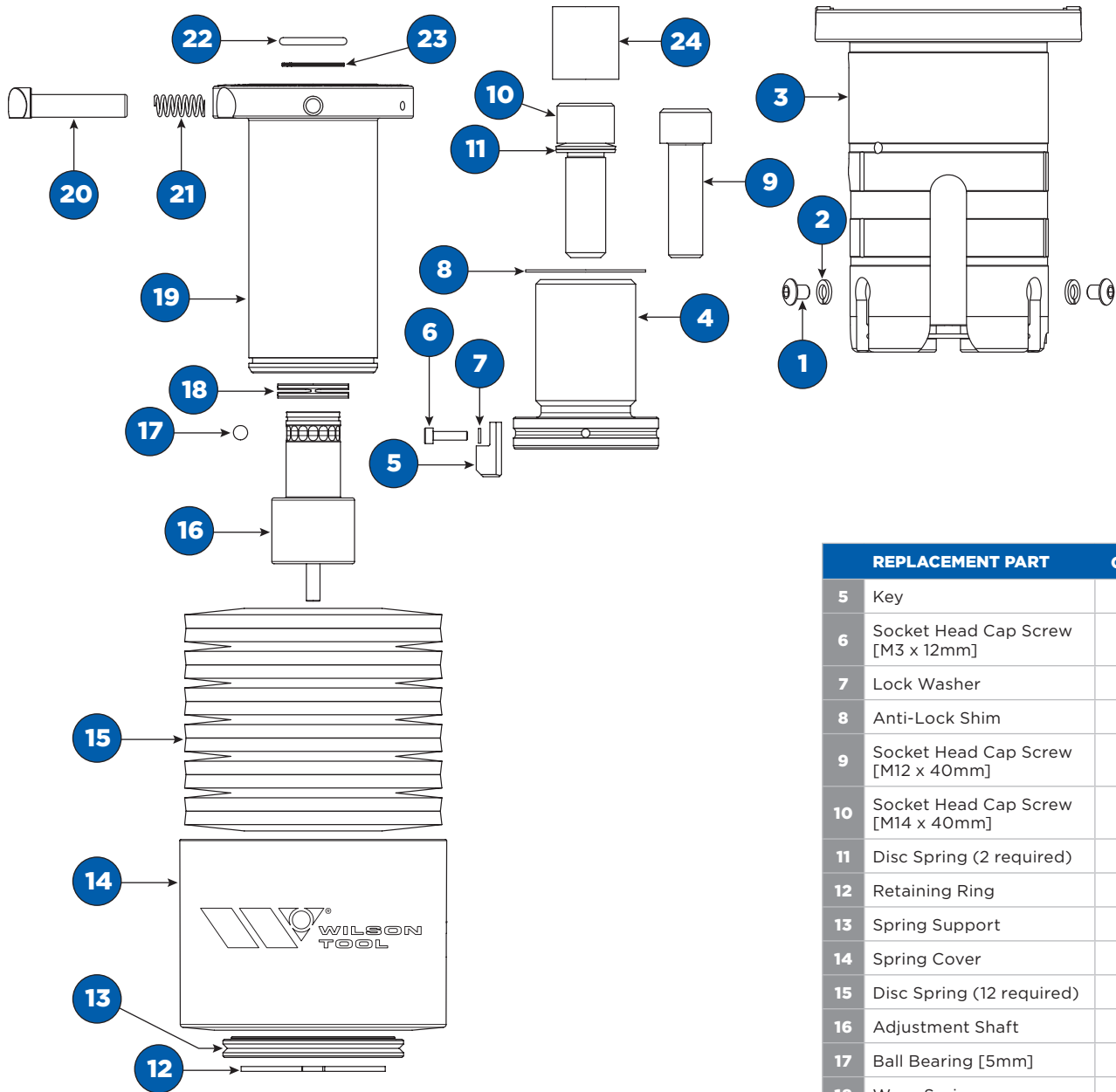
800.328.9646



wilsontool.com/contact-us

PART # 13084

2" C STATION STANDARD ABS GUIDE ASSEMBLY

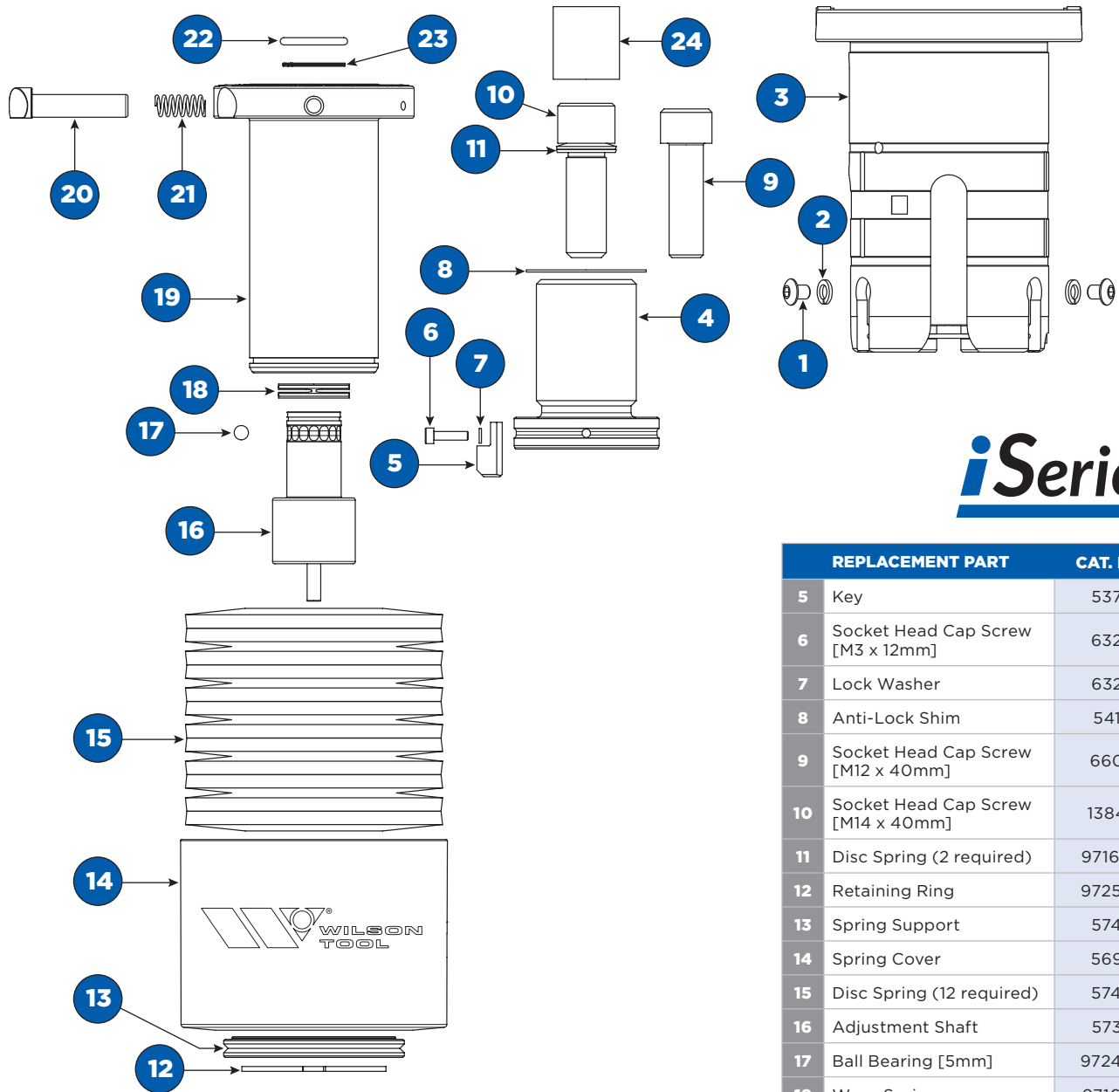


REPLACEMENT PART	CAT. NO.
5 Key	5373
6 Socket Head Cap Screw [M3 x 12mm]	6326
7 Lock Washer	6327
8 Anti-Lock Shim	5412
9 Socket Head Cap Screw [M12 x 40mm]	6605
10 Socket Head Cap Screw [M14 x 40mm]	13843
11 Disc Spring (2 required)	971690
12 Retaining Ring	972570
13 Spring Support	5748
14 Spring Cover	5693
15 Disc Spring (12 required)	5744
16 Adjustment Shaft	5735
17 Ball Bearing [5mm]	972420
18 Wave Spring	971692
19 Punch Driver	5736
20 Driver Lock Button	10539
21 Spring	972615
22 O-Ring	972430
23 Retaining Ring	972441
24 Flex Tubing	989711

REPLACEMENT PART	CAT. NO.
1 Bolt Head Cap Screw [10-32 x .250"]	5006
2 Lock Washer	970485
3 Guide	5420
4 Punch Holder	5556

PART # 13084i

2" C STATION STANDARD ABS GUIDE ASSEMBLY



iSeries

REPLACEMENT PART	CAT. NO.
1 Bolt Head Cap Screw [10-32 x .250"]	5006
2 Lock Washer	970485
3 Guide	5420i
4 Punch Holder	5556

REPLACEMENT PART	CAT. NO.
5 Key	5373
6 Socket Head Cap Screw [M3 x 12mm]	6326
7 Lock Washer	6327
8 Anti-Lock Shim	5412
9 Socket Head Cap Screw [M12 x 40mm]	6605
10 Socket Head Cap Screw [M14 x 40mm]	13843
11 Disc Spring (2 required)	971690
12 Retaining Ring	972570
13 Spring Support	5748
14 Spring Cover	5693
15 Disc Spring (12 required)	5744
16 Adjustment Shaft	5735
17 Ball Bearing [5mm]	972420
18 Wave Spring	971692
19 Punch Driver	5736i
20 Driver Lock Button	10539
21 Spring	972615
22 O-Ring	972430
23 Retaining Ring	972441
24 Flex Tubing	989711

PART # 5592

2"  STATION
STANDARD WLS GUIDE ASSEMBLY

BOM drawing for this assembly is not currently available.

**PLEASE CONTACT ONE OF OUR
TOOLING TECHNICIANS FOR ASSISTANCE**



punching@wilsontool.com



800.328.9646



wilsontool.com/contact-us

PART # 13085

3-1/2"  STATION
STANDARD ABS GUIDE ASSEMBLY

BOM drawing for this assembly is not currently available.

**PLEASE CONTACT ONE OF OUR
TOOLING TECHNICIANS FOR ASSISTANCE**



punching@wilsontool.com



800.328.9646



wilsontool.com/contact-us

PART # 13085i

3-1/2"  STATION
STANDARD GUIDE ASSEMBLY

BOM drawing for this assembly is not currently available.

**PLEASE CONTACT ONE OF OUR
TOOLING TECHNICIANS FOR ASSISTANCE**



punching@wilsontool.com



800.328.9646



wilsontool.com/contact-us

PART # 5593

3-1/2"  STATION
STANDARD WLS GUIDE ASSEMBLY

BOM drawing for this assembly is not currently available.

**PLEASE CONTACT ONE OF OUR
TOOLING TECHNICIANS FOR ASSISTANCE**



punching@wilsontool.com



800.328.9646



wilsontool.com/contact-us

PART # 13088

4-1/2" **E** STATION
STANDARD ABS GUIDE ASSEMBLY

BOM drawing for this assembly is not currently available.

**PLEASE CONTACT ONE OF OUR
TOOLING TECHNICIANS FOR ASSISTANCE**



punching@wilsontool.com



800.328.9646



wilsontool.com/contact-us

PART # 13088i

4-1/2" **E** STATION
STANDARD GUIDE ASSEMBLY

BOM drawing for this assembly is not currently available.

**PLEASE CONTACT ONE OF OUR
TOOLING TECHNICIANS FOR ASSISTANCE**



punching@wilsontool.com



800.328.9646



wilsontool.com/contact-us

PART # 5594

4-1/2" **E** STATION
STANDARD WLS GUIDE ASSEMBLY

BOM drawing for this assembly is not currently available.

**PLEASE CONTACT ONE OF OUR
TOOLING TECHNICIANS FOR ASSISTANCE**



punching@wilsontool.com



800.328.9646

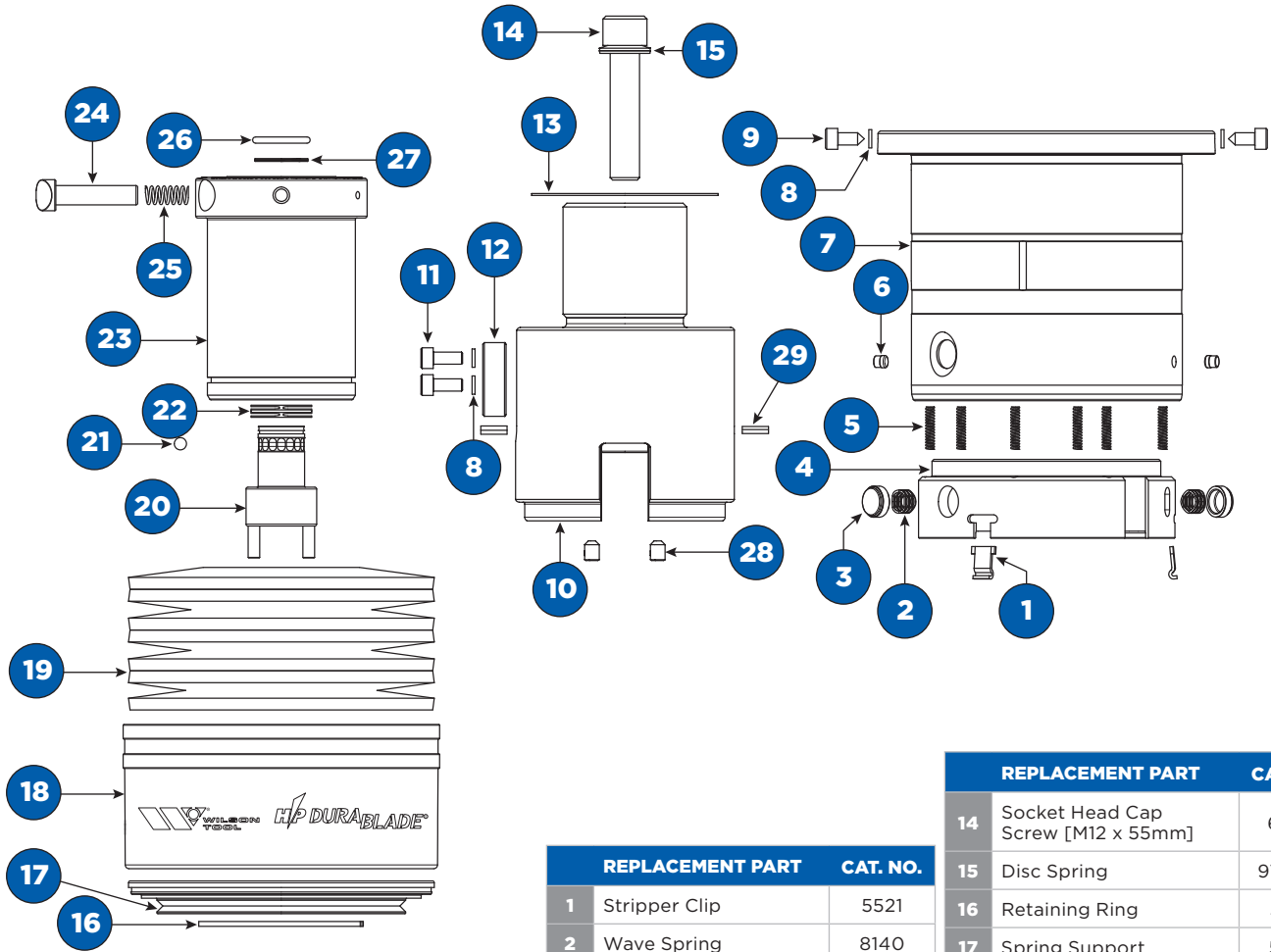


wilsontool.com/contact-us

PART # 5663

3-1/2" $\text{\textcircled{D}}$ STATION

HP DURABLADE® GUIDE ASSEMBLY



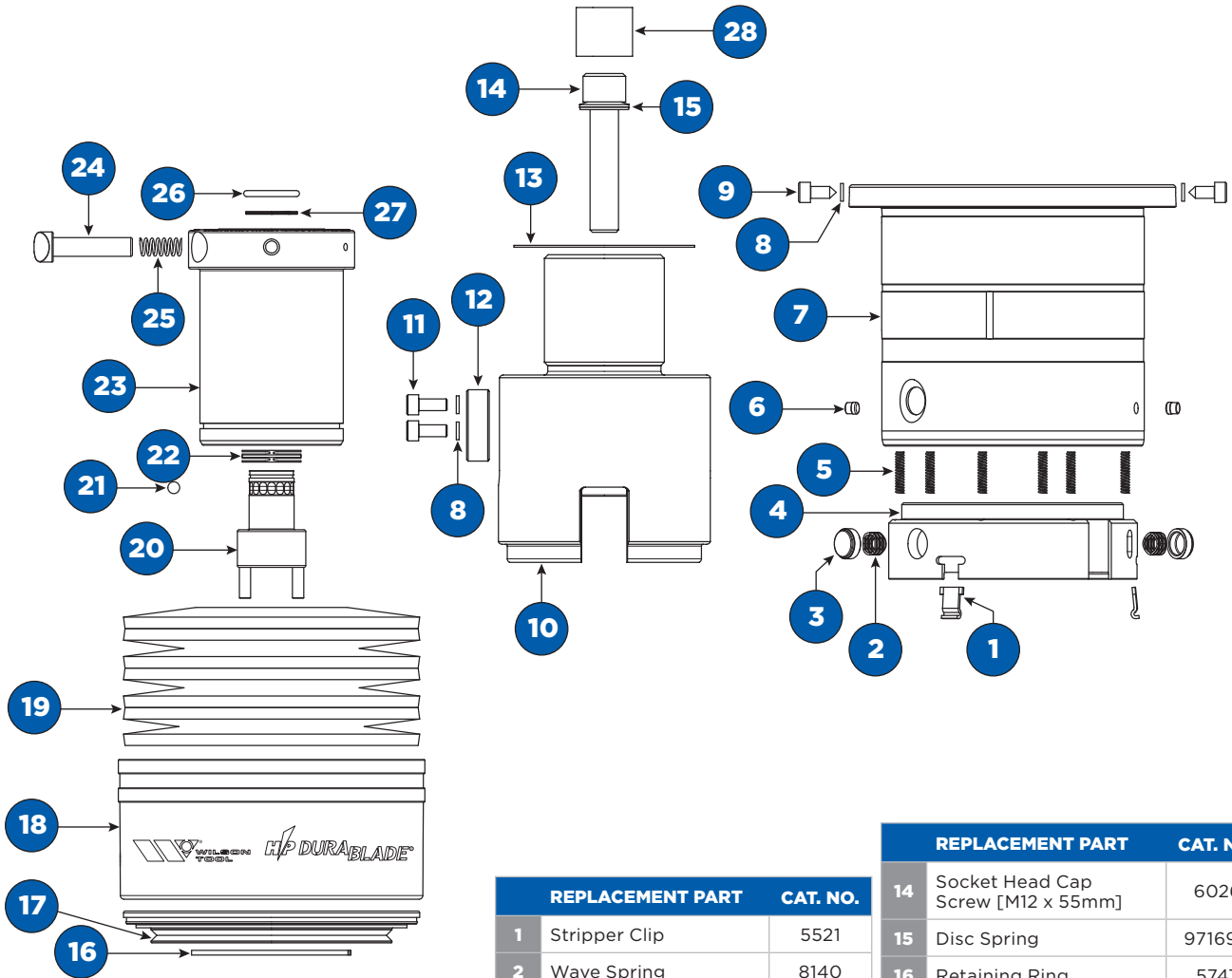
REPLACEMENT PART	CAT. NO.
1 Stripper Clip	5521
2 Wave Spring	8140
3 Locking Button	5519
4 Guide Stripper Ring	5528
5 Spring	971694
6 Special Pin	5522
7 Guide Only	5659
8 Lock Washer	2112
9 Socket Head Cap Screw [M5 x 10.87mm]	5197
10 Punch Holder	5655
11 Socket Head Cap Screw [M5 x 12mm]	6110
12 Punch Holder Key	1862
13 Anti-Lock Shim	5413

REPLACEMENT PART	CAT. NO.
14 Socket Head Cap Screw [M12 x 55mm]	6026
15 Disc Spring	971690
16 Retaining Ring	5747
17 Spring Support	5738
18 Spring Cover	5679
19 Disc Spring (7 required)	5449
20 Adjustment Shaft	5739
21 Ball Bearing	972420
22 Wave Spring	971692
23 Punch Driver	5740
24 Index Button	5737
25 Spring	972615
26 O-Ring	972430
27 Retaining Ring	972441
28 Set Screw [M6 x 8mm]	6298
29 Punch Ejector	6116-1

PART # 5653

3-1/2" $\text{\textcircled{D}}$ STATION

HP DURABLADE® ABS GUIDE ASSEMBLY



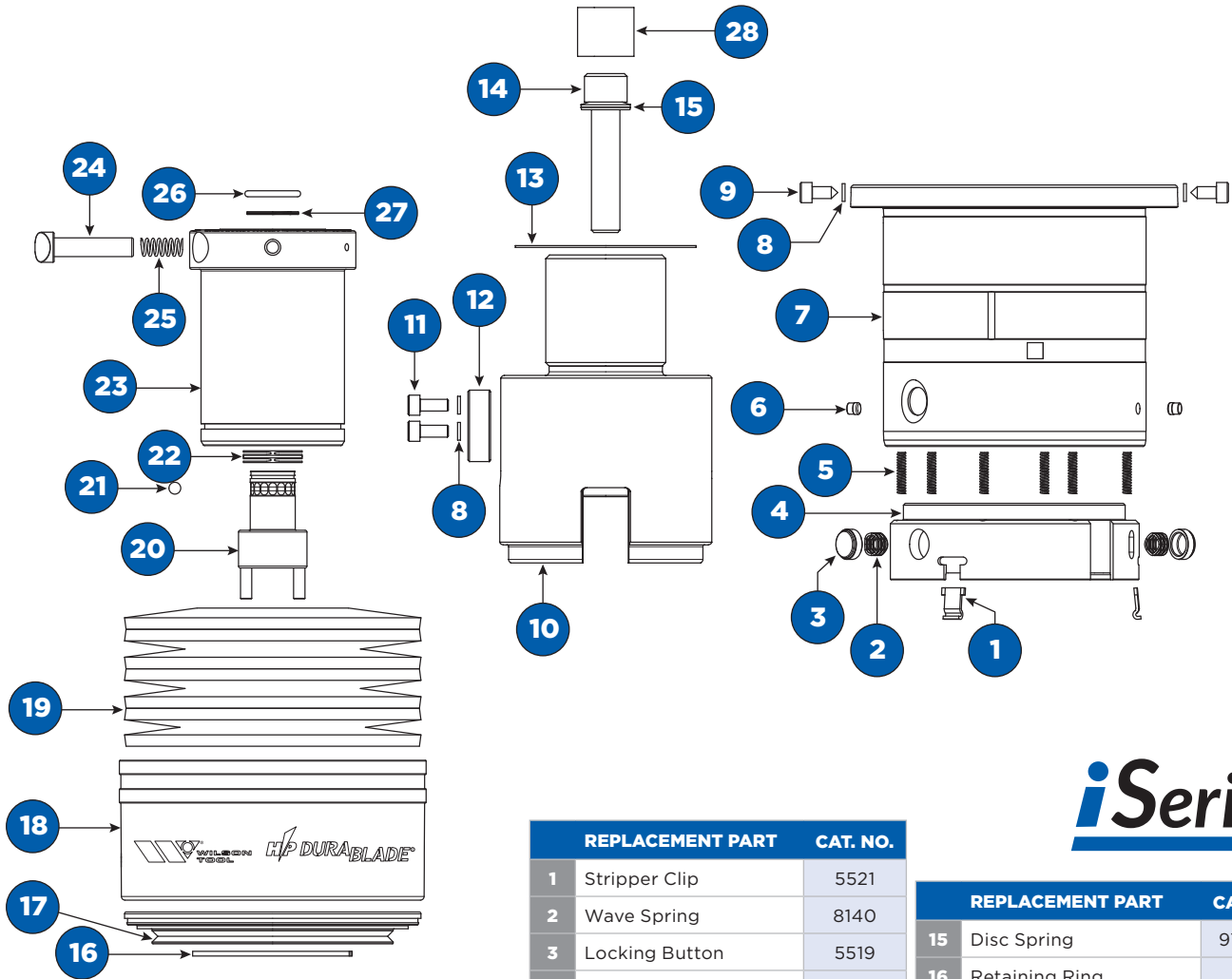
REPLACEMENT PART	CAT. NO.
1 Stripper Clip	5521
2 Wave Spring	8140
3 Locking Button	5519
4 Guide Stripper Ring	5528
5 Spring	971694
6 Special Pin	5522
7 Guide Only	5659
8 Lock Washer	2112
9 Socket Head Cap Screw [M5 x 10.87mm]	5197
10 Punch Holder	5655
11 Socket Head Cap Screw [M5 x 12mm]	6110
12 Punch Holder Key	1862
13 Anti-Lock Shim	5413

REPLACEMENT PART	CAT. NO.
14 Socket Head Cap Screw [M12 x 55mm]	6026
15 Disc Spring	971690
16 Retaining Ring	5747
17 Spring Support	5738
18 Spring Cover	5679
19 Disc Spring (7 required)	5449
20 Adjustment Shaft	5739
21 Ball Bearing	972420
22 Wave Spring	971692
23 Punch Driver	5740
24 Index Button	5737
25 Spring	972615
26 O-Ring	972430
27 Retaining Ring	972441
28 Flex Tubing	988117

PART # 5353i

3-1/2" $\text{\textcircled{D}}$ STATION

HP DURABLADE® GUIDE ASSEMBLY



iSeries

REPLACEMENT PART	CAT. NO.
1 Stripper Clip	5521
2 Wave Spring	8140
3 Locking Button	5519
4 Guide Stripper Ring	5528
5 Spring	971694
6 Special Pin	5522
7 Guide Only	5659
8 Lock Washer	2112
9 Socket Head Cap Screw [M5 x 10.87mm]	5197
10 Punch Holder	5655
11 Socket Head Cap Screw [M5 x 12mm]	6110
12 Punch Holder Key	1862
13 Anti-Lock Shim	5413
14 Socket Head Cap Screw [M12 x 55mm]	6026

REPLACEMENT PART	CAT. NO.
15 Disc Spring	971690
16 Retaining Ring	5747
17 Spring Support	5738
18 Spring Cover	5679
19 Disc Spring (7 required)	5449
20 Adjustment Shaft	5739
21 Ball Bearing	972420
22 Wave Spring	971692
23 Punch Driver	5740
24 Index Button	5737
25 Spring	972615
26 O-Ring	972430
27 Retaining Ring	972441
28 Flex Tubing	988117

PART # 5639

4-1/2" **E** STATION

HP DURABLADE® GUIDE ASSEMBLY

BOM drawing for this assembly is not currently available.

**PLEASE CONTACT ONE OF OUR
TOOLING TECHNICIANS FOR ASSISTANCE**



punching@wilsontool.com



800.328.9646

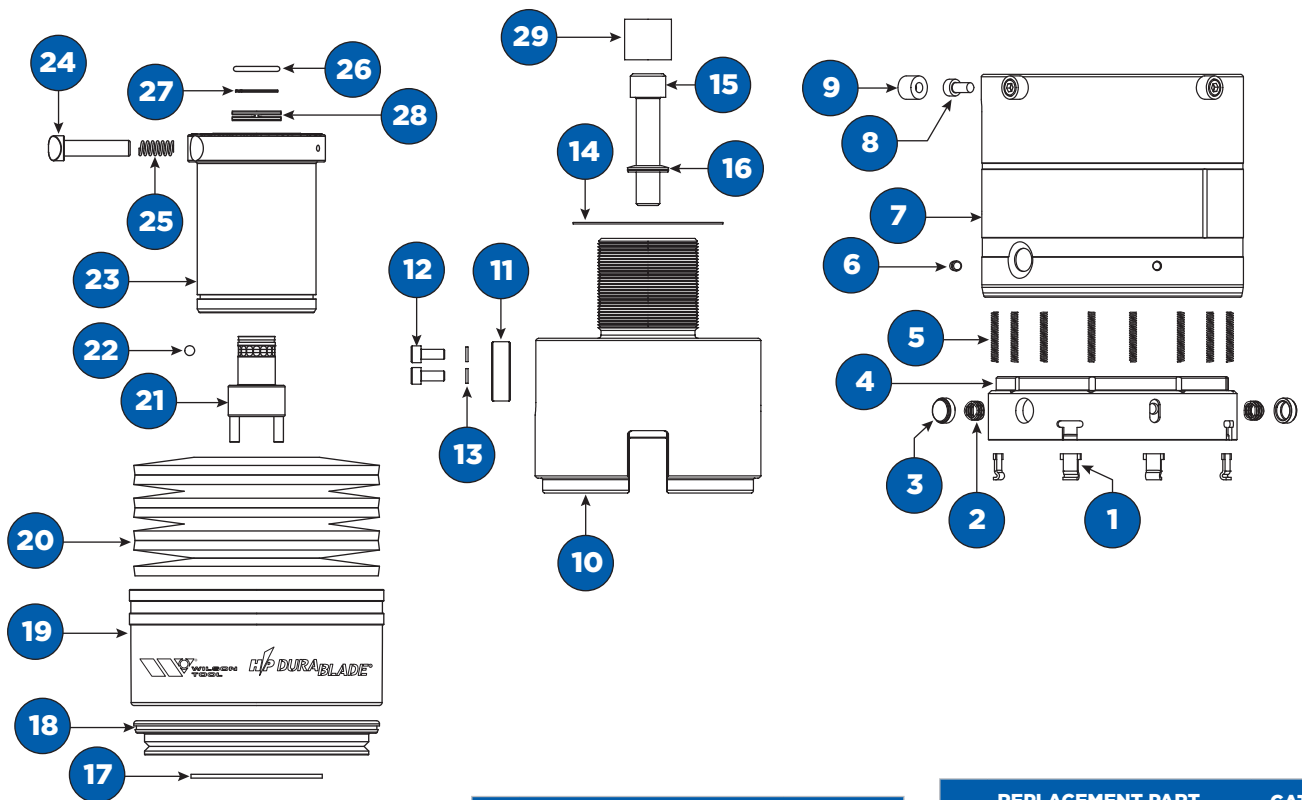


wilsontool.com/contact-us

PART # 5626

4-1/2" E STATION

HP DURABLADE® ABS GUIDE ASSEMBLY



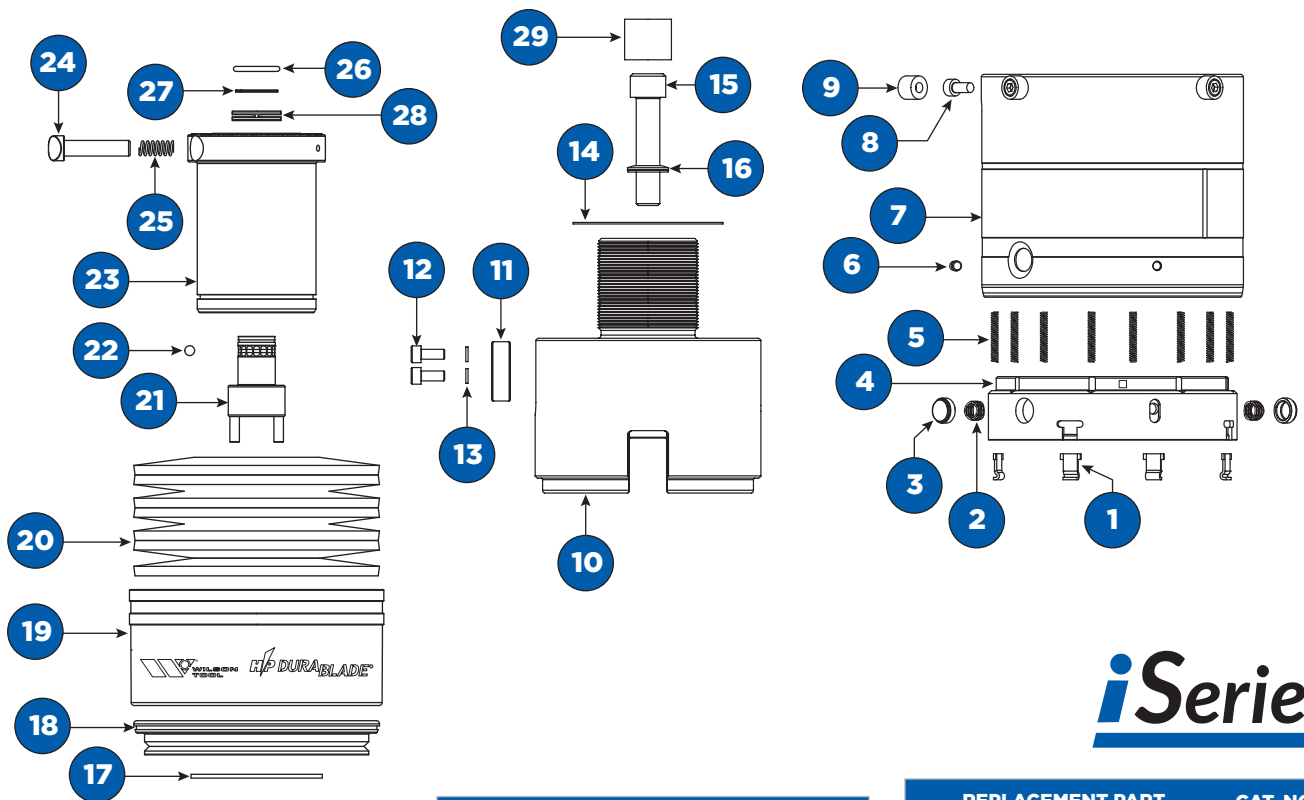
REPLACEMENT PART	CAT. NO.
1 Stripper Clip	5521
2 Wave Spring	8140
3 Locking Button	5519
4 Guide Stripper Ring	5538
5 Spring	971694
6 Special Pin	5522
7 Guide Only	5632
8 Socket Head Cap Screw [M5x 13.39mm]	5210
9 Lifter Button	5209
10 Punch Holder	5628
11 Punch Holder Key	1862
12 Socket Head Cap Screw [M5 x 12mm]	6110
13 Lock Washer	2112
14 Anti-Lock Shim	5413

REPLACEMENT PART	CAT. NO.
15 Socket Head Cap Screw [M12 x 55mm]	6026
16 Disc Spring	971690
17 Retaining Ring	5747
18 Spring Support	5741
19 Spring Cover	5679
20 Disc Spring (7 required)	5449
21 Adjustment Shaft	5739
22 Ball Bearing	972420
23 Punch Driver	5742
24 Index Button	5737
25 Spring	972615
26 O-Ring	972430
27 Retaining Ring	972441
28 Wave Spring	971692
29 Flex Tubing	988117

PART # 5626i

4-1/2" **E** STATION

HP DURABLADE® GUIDE ASSEMBLY



iSeries

REPLACEMENT PART	CAT. NO.
1 Stripper Clip	5521
2 Wave Spring	8140
3 Locking Button	5519
4 Guide Stripper Ring	5538i
5 Spring	971694
6 Special Pin	5522
7 Guide Only	5632
8 Socket Head Cap Screw [M5x 13.39mm]	5210
9 Lifter Button	5209
10 Punch Holder	5628
11 Punch Holder Key	1862
12 Socket Head Cap Screw [M5 x 12mm]	6110
13 Lock Washer	2112
14 Anti-Lock Shim	5413

REPLACEMENT PART	CAT. NO.
15 Socket Head Cap Screw [M12 x 55mm]	6026
16 Disc Spring	971690
17 Retaining Ring	5747
18 Spring Support	5741
19 Spring Cover	5679
20 Disc Spring (7 required)	5449
21 Adjustment Shaft	5739
22 Ball Bearing	972420
23 Punch Driver	5742i
24 Index Button	5737
25 Spring	972615
26 O-Ring	972430
27 Retaining Ring	972441
28 Wave Spring	971692
29 Flex Tubing	988117